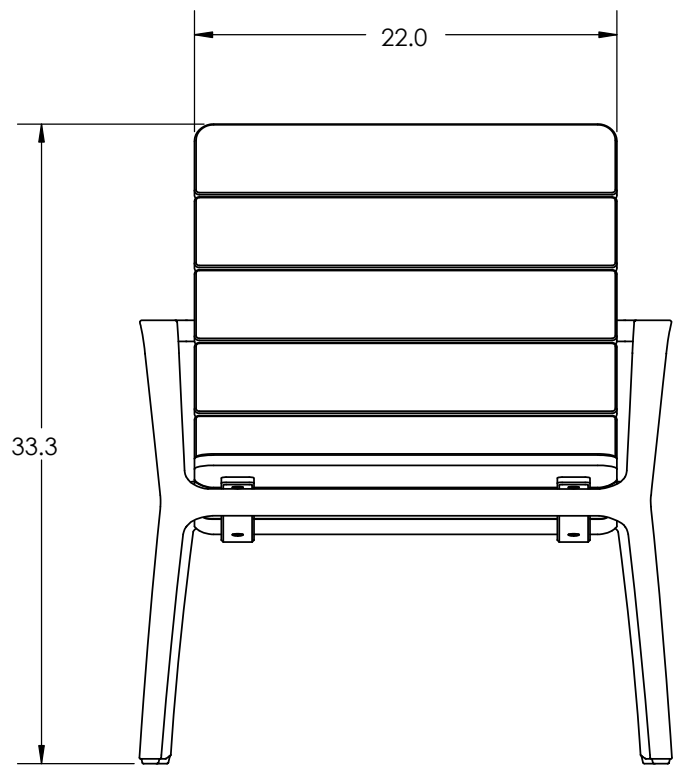
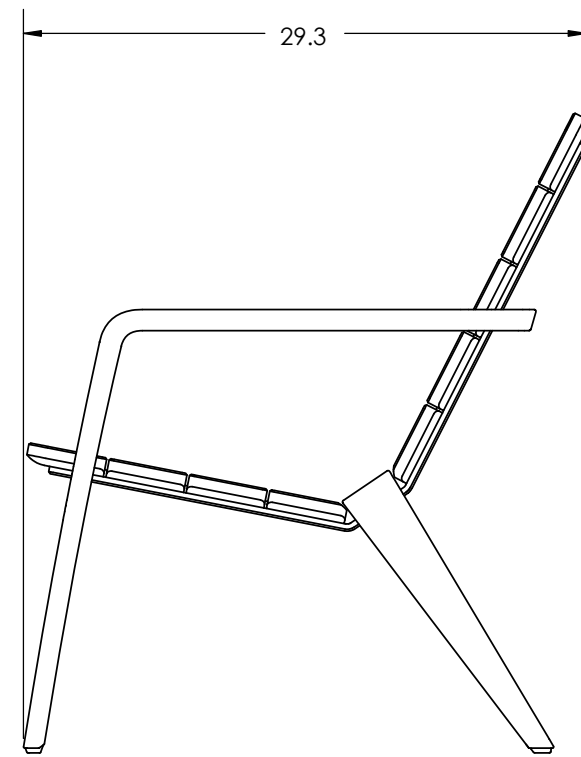


TOP VIEW



FRONT VIEW



SIDE VIEW

UNLESS OTHERWISE SPECIFIED:

1. PRIMARY DIM. ARE IN INCHES & SECONDARY [DIM] IN MM

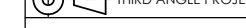
2. TOLERANCES

FRACTIONAL: ±1/32; ANGULAR/BEND: ±1°

TWO PLACE DECIMAL ±.030

THREE PLACE DECIMAL ±.020

3. REMOVE ALL BURRS AND SHARP EDGES



MATERIAL: SEE DATA SHEET

FINISH: SEE DATA SHEET

WEIGHT: SEE DATA SHEET

SCALE: NOT TO SCALE



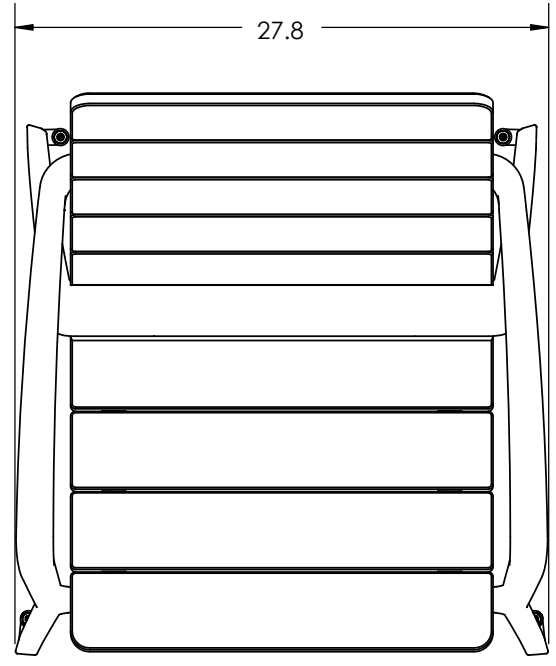
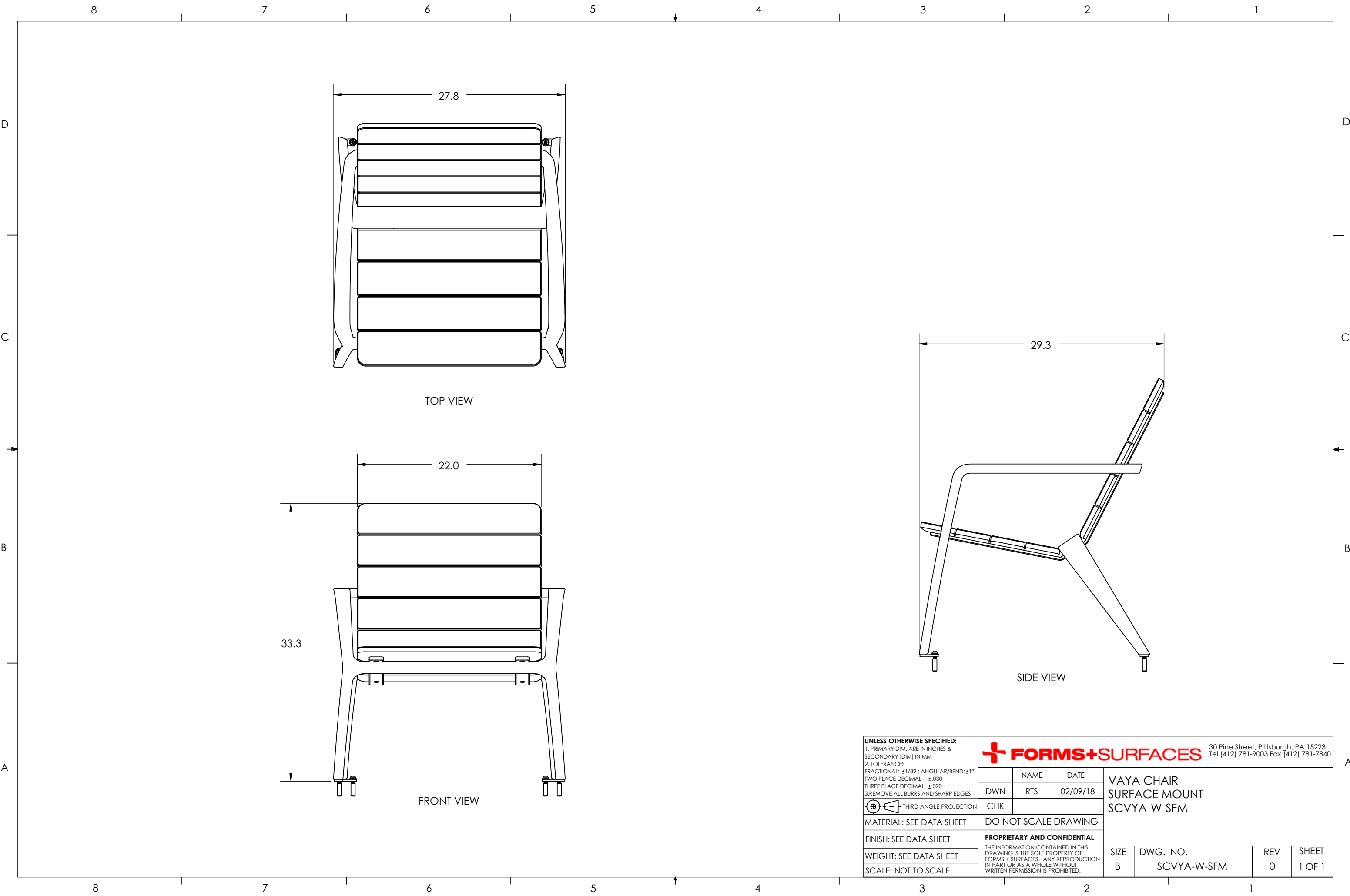
30 Pine Street, Pittsburgh, PA 15223
Tel (412) 781-9003 Fax (412) 781-7840

NAME	DATE
DWN	02/09/18
RTS	
CHK	

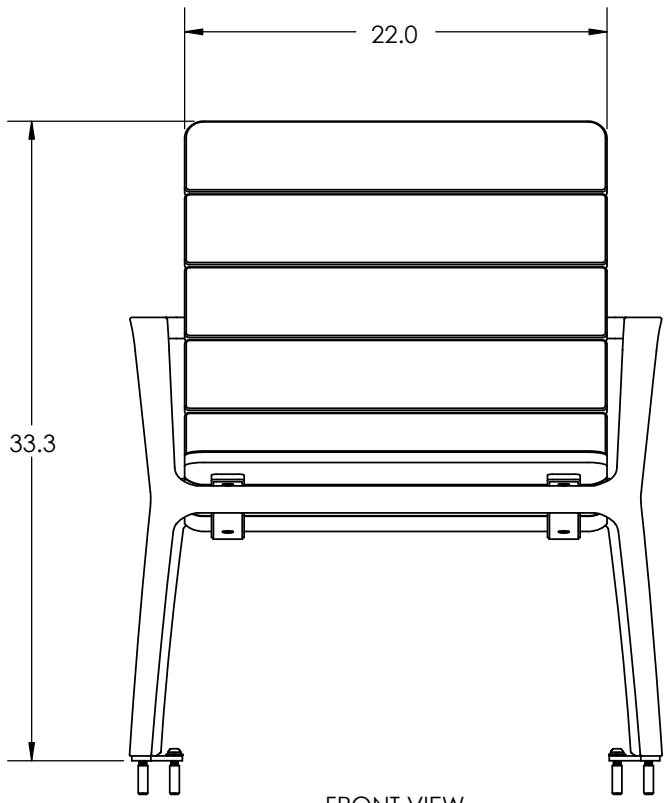
DO NOT SCALE DRAWING

PROPRIETARY AND CONFIDENTIAL
THE INFORMATION CONTAINED IN THIS DRAWING IS THE SOLE PROPERTY OF FORMS + SURFACES. ANY REPRODUCTION IN PART OR AS A WHOLE WITHOUT WRITTEN PERMISSION IS PROHIBITED.

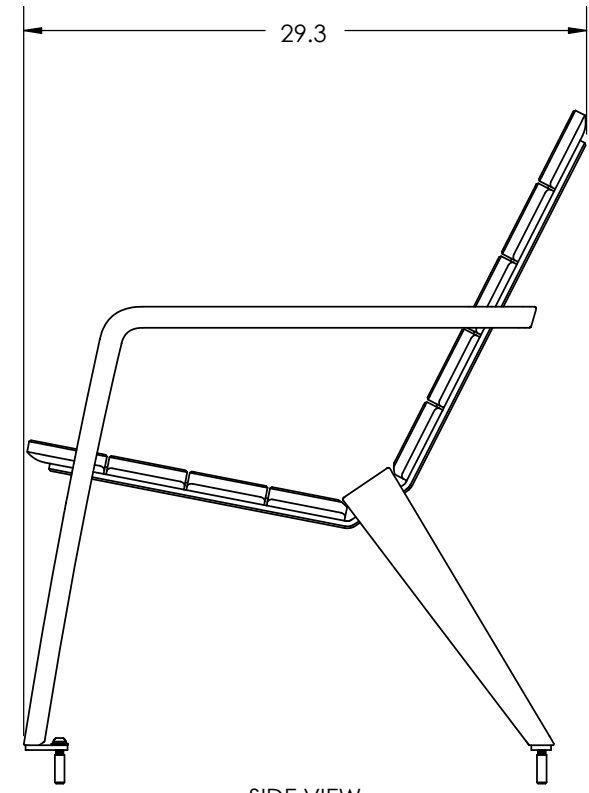
VAYA CHAIR FREESTANDING SCVYA-W-FRS			
SIZE	DWG. NO.	REV	SHEET
B	SCVYA-W-FRS	0	1 OF 1



TOP VIEW



FRONT VIEW



SIDE VIEW

UNLESS OTHERWISE SPECIFIED: 1. PRIMARY DIM. ARE IN INCHES & SECONDARY [DIM] IN MM 2. TOLERANCES FRACTIONAL: ±1/32; ANGULAR/BEND: ±1° TWO PLACE DECIMAL ±.030 THREE PLACE DECIMAL ±.020 3. REMOVE ALL BURRS AND SHARP EDGES				30 Pine Street, Pittsburgh, PA 15223 Tel (412) 781-9003 Fax (412) 781-7840		
THIRD ANGLE PROJECTION		NAME	DATE	VAYA CHAIR SURFACE MOUNT SCVYA-W-SFM		
MATERIAL: SEE DATA SHEET		DWN	RTS			02/09/18
FINISH: SEE DATA SHEET		CHK				
WEIGHT: SEE DATA SHEET		DO NOT SCALE DRAWING				
SCALE: NOT TO SCALE		PROPRIETARY AND CONFIDENTIAL THE INFORMATION CONTAINED IN THIS DRAWING IS THE SOLE PROPERTY OF FORMS + SURFACES. ANY REPRODUCTION IN PART OR AS A WHOLE WITHOUT WRITTEN PERMISSION IS PROHIBITED.		SIZE	DWG. NO.	
				B	SCVYA-W-SFM	
				REV	SHEET	
				0	1 OF 1	