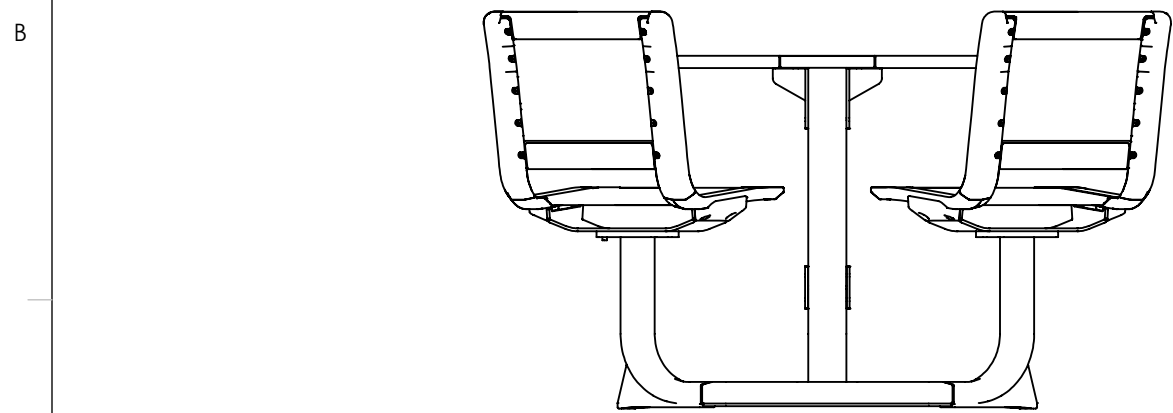
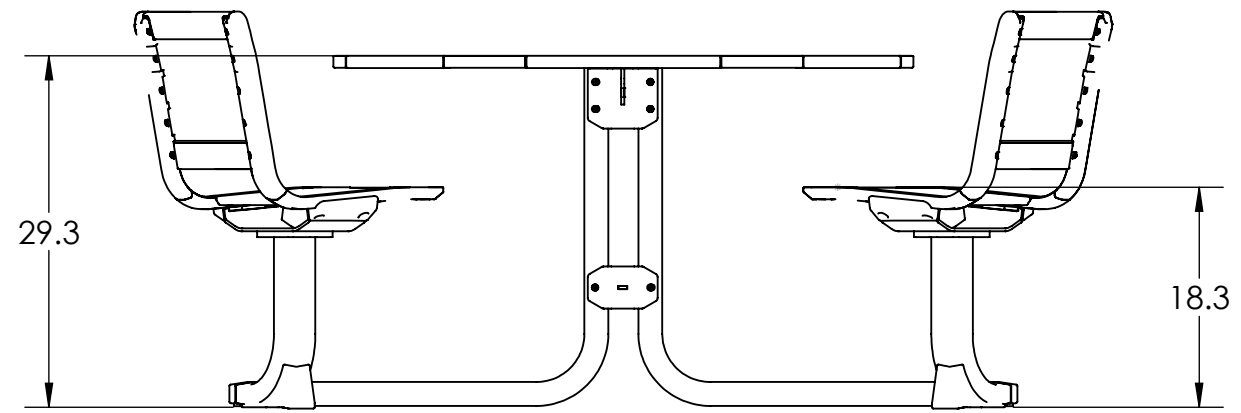


TOP VIEW

ISO VIEW



FRONT VIEW



SIDE VIEW

CUSTOMER APPROVAL:

X _____

DATE:

X _____

UNLESS OTHERWISE SPECIFIED:

- 1. PRIMARY DIM. ARE IN INCHES & SECONDARY [DIM] IN MM
- 2. TOLERANCES
 FRACTIONAL: $\pm 1/32$; ANGULAR/BEND: $\pm 1^\circ$
 TWO PLACE DECIMAL $\pm .030$
 THREE PLACE DECIMAL $\pm .020$
 3. REMOVE ALL BURRS AND SHARP EDGES

THIRD ANGLE PROJECTION

MATERIAL: See Data Sheet

FINISH: -See Data Sheet

WEIGHT: - See Data Sheet

SCALE: N.T.S



30 Pine Street, Pittsburgh, PA 15223
 Tel (412) 781-9003 Fax (412) 781-7840

NAME	DATE
DWN ABM	02-25-2019
CHK ARW	02-25-2019

DESCRIPTION:
TANGENT TABLE ENSEMBLE
4 SEATER BACK PAN-SS
SETAN,4 SEATER,BK,SS PAN SEAT,SFM

PROPRIETARY AND CONFIDENTIAL
 THE INFORMATION CONTAINED IN THIS DRAWING IS THE SOLE PROPERTY OF FORMS + SURFACES. ANY REPRODUCTION IN PART OR AS A WHOLE WITHOUT WRITTEN PERMISSION IS PROHIBITED.

SIZE	DWG. NO.	REV	SHEET
B	SETAN-4SEATER-BK-PAN-SS	0	1 OF 1