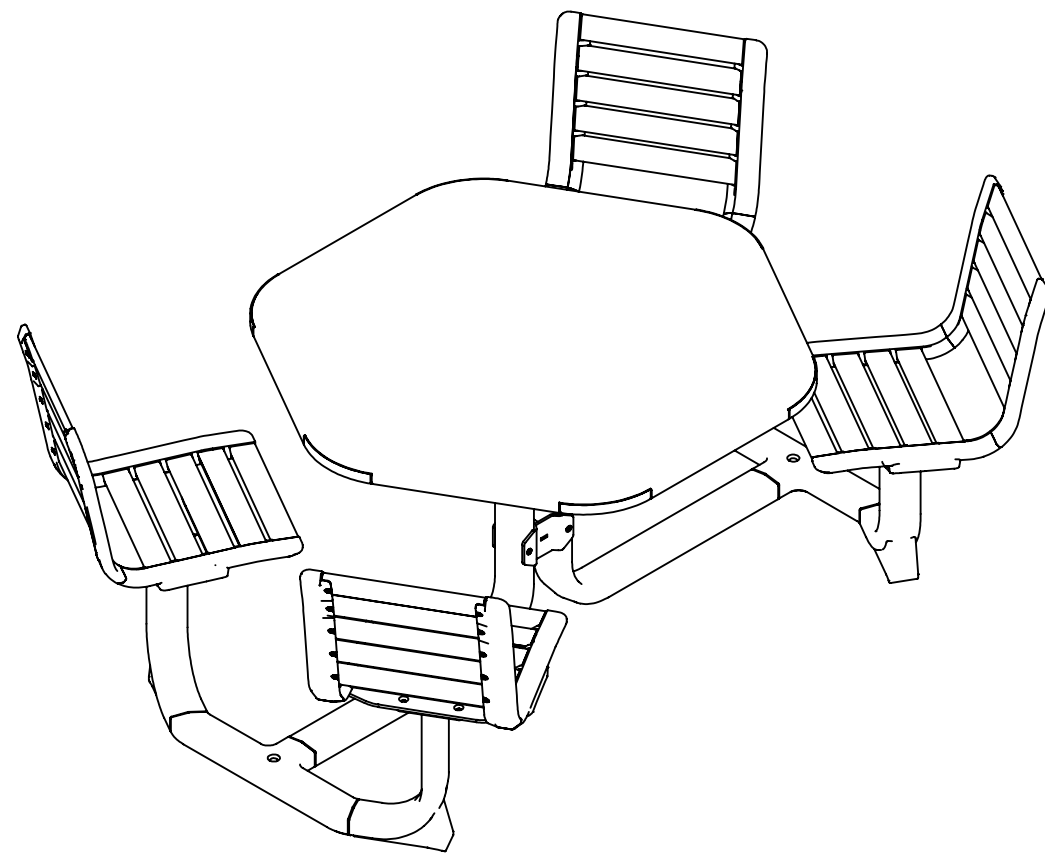
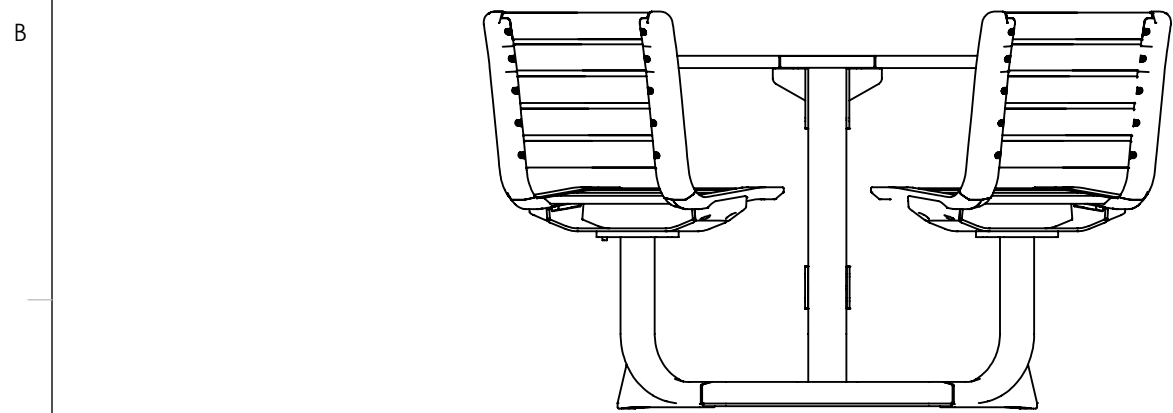


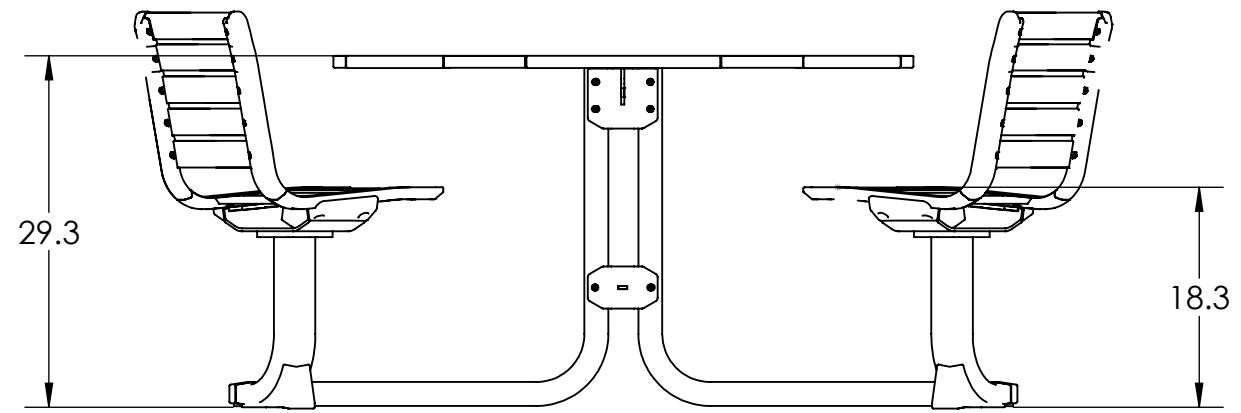
TOP VIEW



ISO VIEW



FRONT VIEW



SIDE VIEW

CUSTOMER APPROVAL:

X _____

DATE:

X _____

UNLESS OTHERWISE SPECIFIED: 1. PRIMARY DIM. ARE IN INCHES & SECONDARY [DIM] IN MM 2. TOLERANCES FRACTIONAL: ±1/32; ANGULAR/BEND: ±1° TWO PLACE DECIMAL ±.030 THREE PLACE DECIMAL ±.020 3. REMOVE ALL BURRS AND SHARP EDGES				30 Pine Street, Pittsburgh, PA 15223 Tel (412) 781-9003 Fax (412) 781-7840	
THIRD ANGLE PROJECTION		NAME	DATE	DESCRIPTION:	
MATERIAL: See Data Sheet		DWN	ABM 02-25-2019	TANGENT TABLE ENSEMBLE 4 SEATER BACK SETAN 4 SEATER BACKED SFM	
FINISH: -See Data Sheet		CHK	ARW 02-25-2019		
WEIGHT: - See Data Sheet		DO NOT SCALE DRAWING			SIZE
SCALE: N.T.S		PROPRIETARY AND CONFIDENTIAL <small>THE INFORMATION CONTAINED IN THIS DRAWING IS THE SOLE PROPERTY OF FORMS + SURFACES. ANY REPRODUCTION IN PART OR AS A WHOLE WITHOUT WRITTEN PERMISSION IS PROHIBITED.</small>			DWG. NO.
					REV
					SHEET
					B SETAN-4SEATER-BK 0 1 OF 1