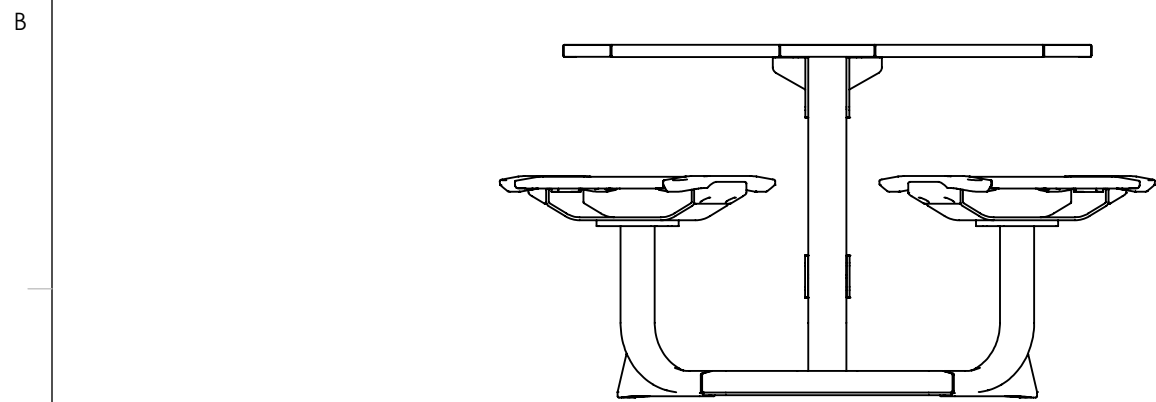
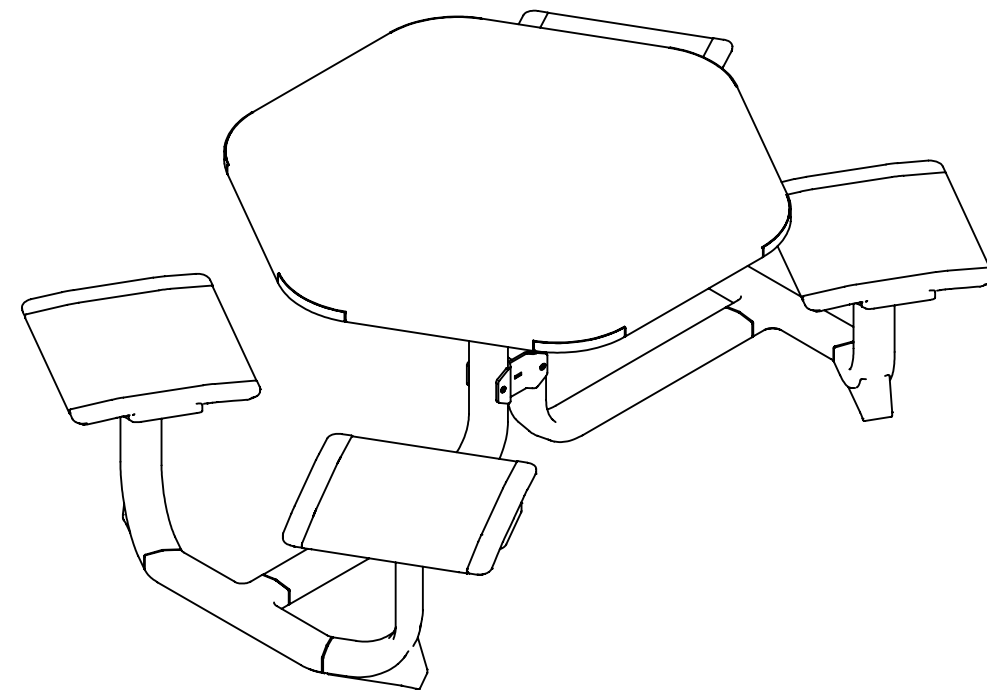


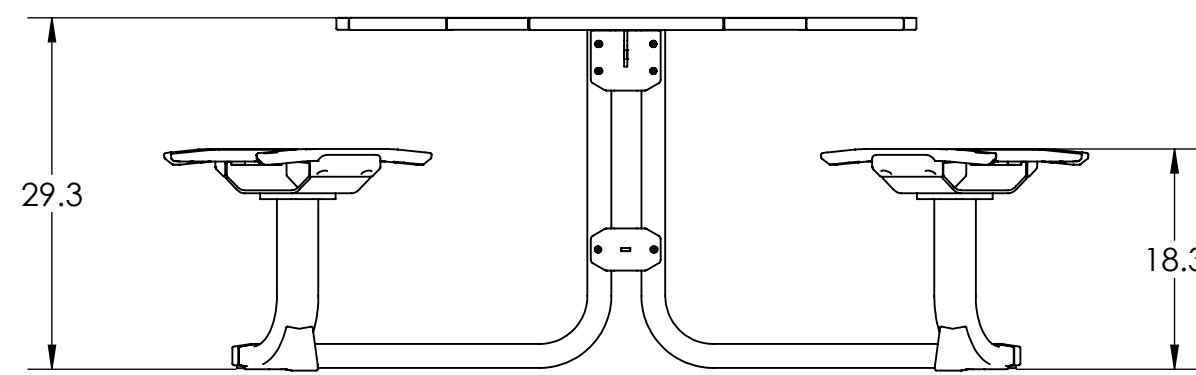
TOP VIEW



FRONT VIEW



ISO VIEW



SIDE VIEW

CUSTOMER APPROVAL:

X _____

DATE:

X _____

<p>UNLESS OTHERWISE SPECIFIED: 1. PRIMARY DIM. ARE IN INCHES & SECONDARY [DIM] IN MM 2. TOLERANCES FRACTIONAL: ±1/32; ANGULAR/BEND: ±1° TWO PLACE DECIMAL ±.030 THREE PLACE DECIMAL ±.020 3. REMOVE ALL BURRS AND SHARP EDGES</p>		<p>FORMS+SURFACES 30 Pine Street, Pittsburgh, PA 15223 Tel (412) 781-9003 Fax (412) 781-7840</p>	
<p>THIRD ANGLE PROJECTION</p>		<p>NAME</p>	<p>DATE</p>
<p>MATERIAL: See Data Sheet</p>		<p>DWN ABM 02-25-2019</p>	<p>DESCRIPTION: TANGENT TABLE ENSEMBLE 4 SEATER NO BACK PAN-SS SETAN, 4 SEATER, NB, SS PAN SEAT, SFM</p>
<p>FINISH: -See Data Sheet</p>		<p>DO NOT SCALE DRAWING</p>	
<p>WEIGHT: - See Data Sheet</p>		<p>PROPRIETARY AND CONFIDENTIAL THE INFORMATION CONTAINED IN THIS DRAWING IS THE SOLE PROPERTY OF FORMS + SURFACES. ANY REPRODUCTION IN PART OR AS A WHOLE WITHOUT WRITTEN PERMISSION IS PROHIBITED.</p>	
<p>SCALE: N.T.S</p>		<p>SIZE</p>	<p>DWG. NO.</p>
		<p>B SETAN-4SEATER-NB-PAN-SS</p>	<p>REV 0</p>
			<p>SHEET 1 OF 1</p>