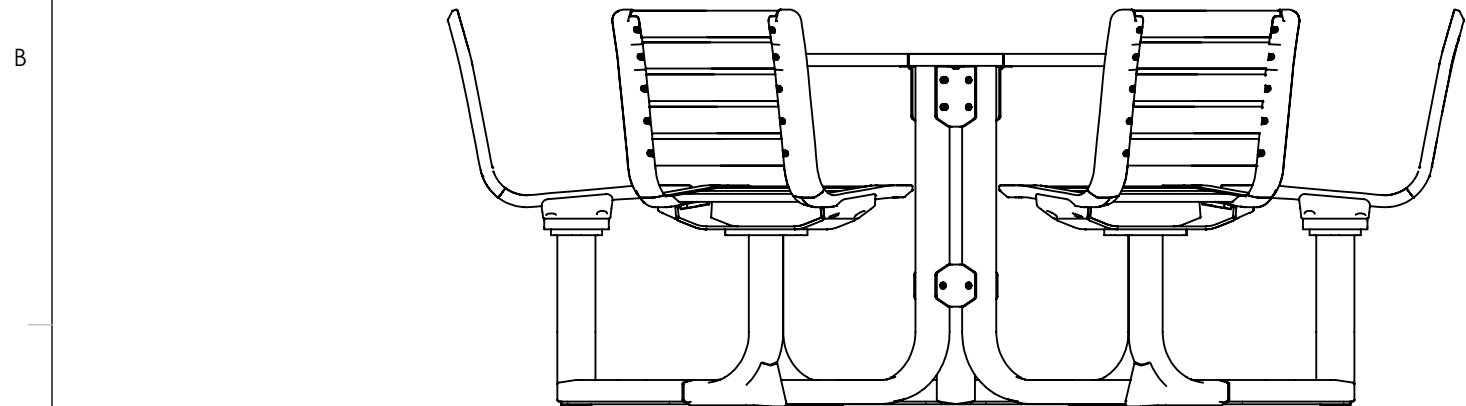
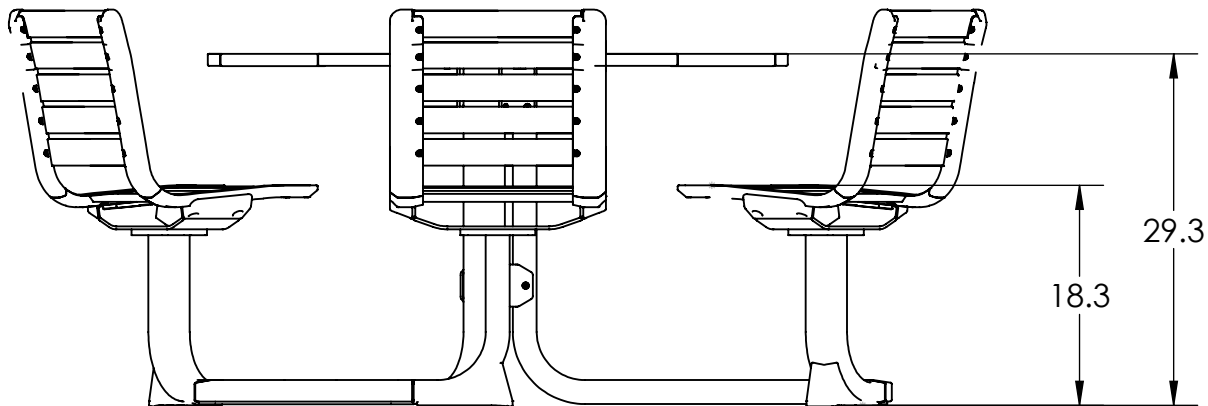


TOP VIEW

ISO VIEW



FRONT VIEW



SIDE VIEW

CUSTOMER APPROVAL:

X \_\_\_\_\_

DATE:

X \_\_\_\_\_

<p><b>UNLESS OTHERWISE SPECIFIED:</b>          1. PRIMARY DIM. ARE IN INCHES &amp; SECONDARY [DIM] IN MM          2. TOLERANCES          FRACTIONAL: ±1/32; ANGULAR/BEND: ±1°          TWO PLACE DECIMAL ±.030          THREE PLACE DECIMAL ±.020          3. REMOVE ALL BURRS AND SHARP EDGES</p>		<p><b>FORMS+SURFACES</b> 30 Pine Street, Pittsburgh, PA 15223          Tel (412) 781-9003 Fax (412) 781-7840</p>		
<p>THIRD ANGLE PROJECTION</p>		<p>NAME</p>	<p>DATE</p>	<p>DESCRIPTION:  <b>TANGENT TABLE ENSEMBLE</b>  <b>6 SEATER BACK</b>  <b>SETAN 6 SEATER BACKED SFM</b></p>
<p>MATERIAL: See Data Sheet</p>		<p>DWN ABM 02-25-2019</p>	<p>CHK ARW 02-25-2019</p>	
<p>FINISH: -See Data Sheet</p>		<p>DO NOT SCALE DRAWING</p>		<p>SIZE DWG. NO. REV SHEET  <b>B SETAN-6SEATER-BK 0 1 OF 1</b></p>
<p>WEIGHT: - See Data Sheet</p>		<p>PROPRIETARY AND CONFIDENTIAL</p>		
<p>SCALE: N.T.S</p>		<p>THE INFORMATION CONTAINED IN THIS DRAWING IS THE SOLE PROPERTY OF FORMS + SURFACES. ANY REPRODUCTION IN PART OR AS A WHOLE WITHOUT WRITTEN PERMISSION IS PROHIBITED.</p>		