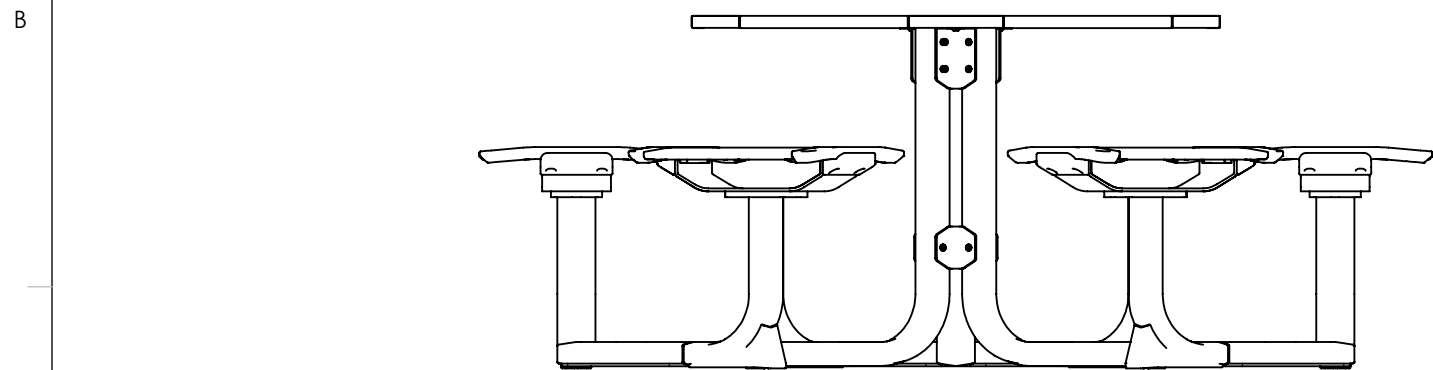
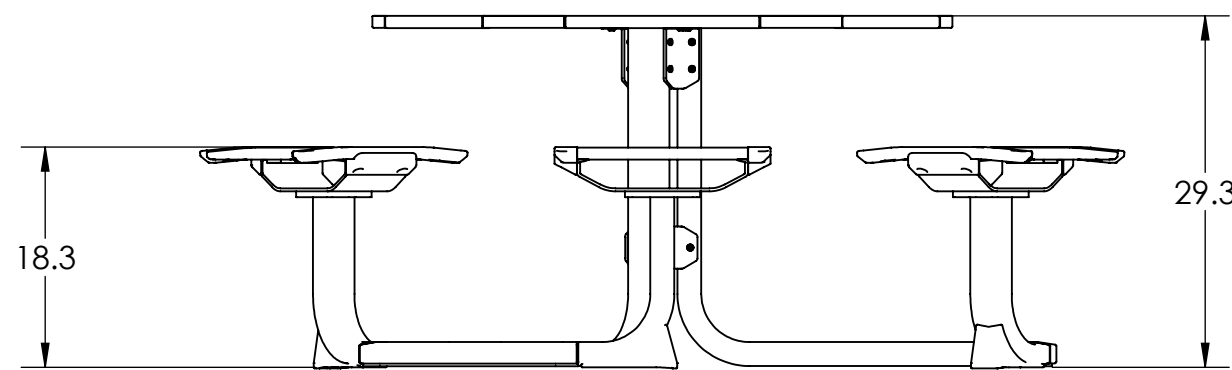


TOP VIEW

ISO VIEW



FRONT VIEW



SIDE VIEW

CUSTOMER APPROVAL:

X _____

DATE:

X _____

UNLESS OTHERWISE SPECIFIED: 1. PRIMARY DIM. ARE IN INCHES & SECONDARY [DIM] IN MM 2. TOLERANCES FRACTIONAL: ±1/32; ANGULAR/BEND: ±1° TWO PLACE DECIMAL ±.030 THREE PLACE DECIMAL ±.020 3. REMOVE ALL BURRS AND SHARP EDGES THIRD ANGLE PROJECTION		FORMS+SURFACES 30 Pine Street, Pittsburgh, PA 15223 Tel (412) 781-9003 Fax (412) 781-7840								
MATERIAL: See Data Sheet FINISH: -See Data Sheet WEIGHT: - See Data Sheet SCALE: N.T.S.		<table border="1"> <thead> <tr> <th>NAME</th> <th>DATE</th> </tr> </thead> <tbody> <tr> <td>DWN ABM</td> <td>02-25-2019</td> </tr> <tr> <td>CHK ARW</td> <td>02-25-2019</td> </tr> </tbody> </table>	NAME	DATE	DWN ABM	02-25-2019	CHK ARW	02-25-2019	DESCRIPTION: TANGENT TABLE ENSEMBLE 6 SEATER NO BACK PAN SETAN 6 SEATER NB SS PAN	
NAME	DATE									
DWN ABM	02-25-2019									
CHK ARW	02-25-2019									
PROPRIETARY AND CONFIDENTIAL THE INFORMATION CONTAINED IN THIS DRAWING IS THE SOLE PROPERTY OF FORMS + SURFACES. ANY REPRODUCTION IN PART OR AS A WHOLE WITHOUT WRITTEN PERMISSION IS PROHIBITED.		<table border="1"> <thead> <tr> <th>SIZE</th> <th>DWG. NO.</th> <th>REV</th> <th>SHEET</th> </tr> </thead> <tbody> <tr> <td>B</td> <td>SETAN-6SEATER-NB-PAN</td> <td>0</td> <td>1 OF 1</td> </tr> </tbody> </table>	SIZE	DWG. NO.	REV	SHEET	B	SETAN-6SEATER-NB-PAN	0	1 OF 1
SIZE	DWG. NO.	REV	SHEET							
B	SETAN-6SEATER-NB-PAN	0	1 OF 1							