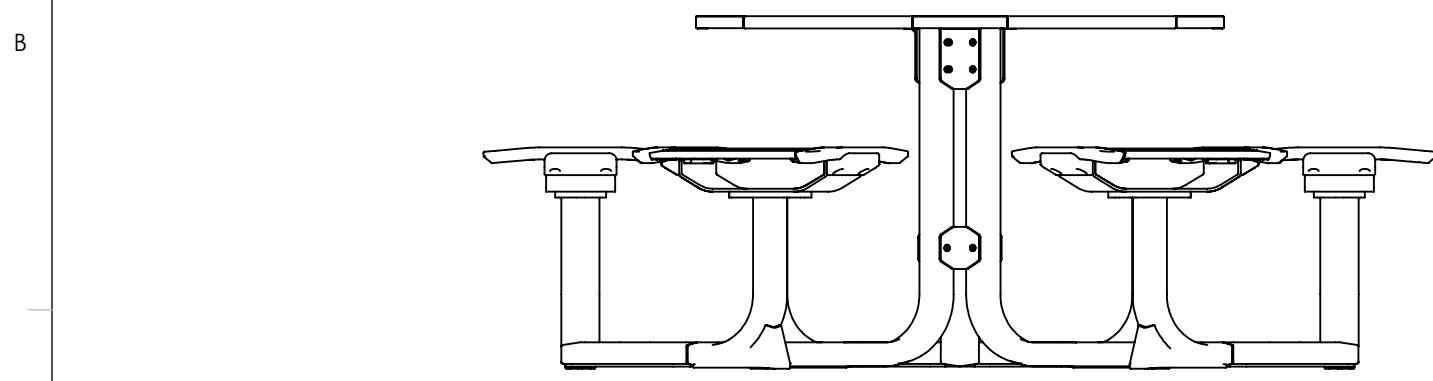
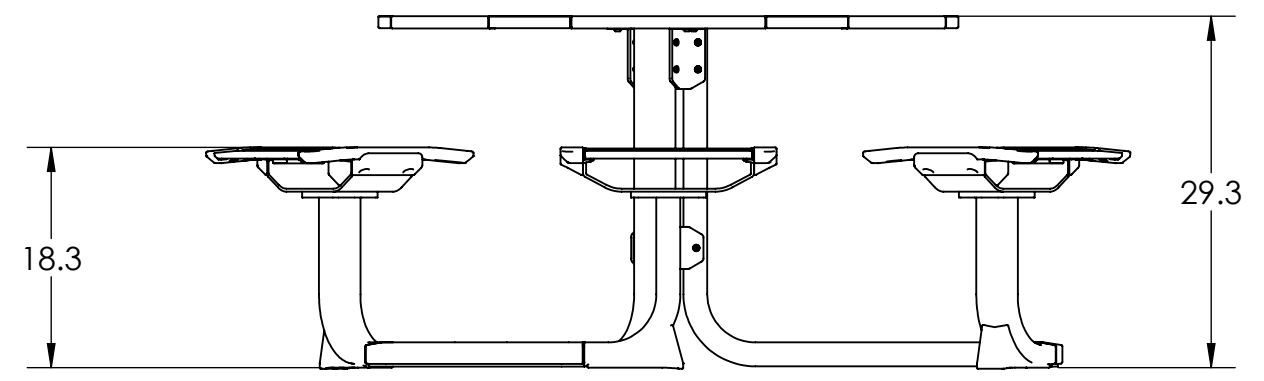


TOP VIEW

ISO VIEW



FRONT VIEW



SIDE VIEW

CUSTOMER APPROVAL:

X \_\_\_\_\_

DATE:

X \_\_\_\_\_

UNLESS OTHERWISE SPECIFIED:

- 1. PRIMARY DIM. ARE IN INCHES & SECONDARY [DIM] IN MM
- 2. TOLERANCES  
 FRACTIONAL:  $\pm 1/32$ ; ANGULAR/BEND:  $\pm 1^\circ$   
 TWO PLACE DECIMAL  $\pm .030$   
 THREE PLACE DECIMAL  $\pm .020$   
 3. REMOVE ALL BURRS AND SHARP EDGES

MATERIAL: See Data Sheet

FINISH: - See Data Sheet

WEIGHT: - See Data Sheet

SCALE: N.T.S



30 Pine Street, Pittsburgh, PA 15223  
Tel (412) 781-9003 Fax (412) 781-7840

NAME	DATE
DWN ABM	02-25-2019
CHK ARW	02-25-2019

DO NOT SCALE DRAWING

PROPRIETARY AND CONFIDENTIAL

THE INFORMATION CONTAINED IN THIS DRAWING IS THE SOLE PROPERTY OF FORMS + SURFACES. ANY REPRODUCTION IN PART OR AS A WHOLE WITHOUT WRITTEN PERMISSION IS PROHIBITED.

DESCRIPTION:			
<b>TANGENT TABLE ENSEMBLE</b>			
<b>6 SEATER NO BACK</b>			
<b>SETAN 6 SEATER NB SLATS SFM</b>			
SIZE	DWG. NO.	REV	SHEET
B	SETAN-6SEATER-NB	0	1 OF 1