

8 7 6 5 4 3 2 1

D

C

B

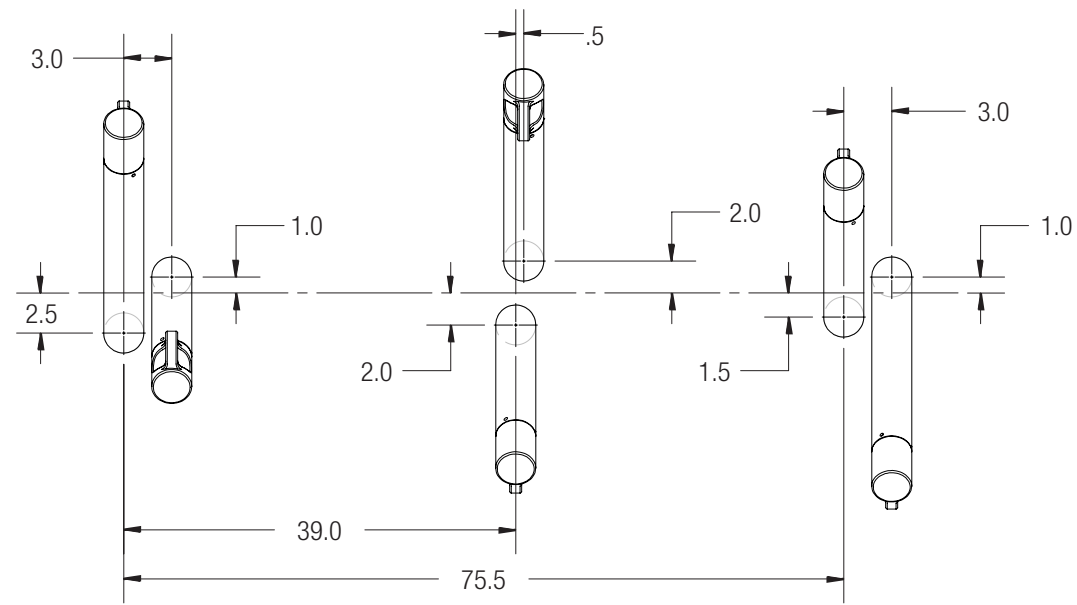
A

D

C

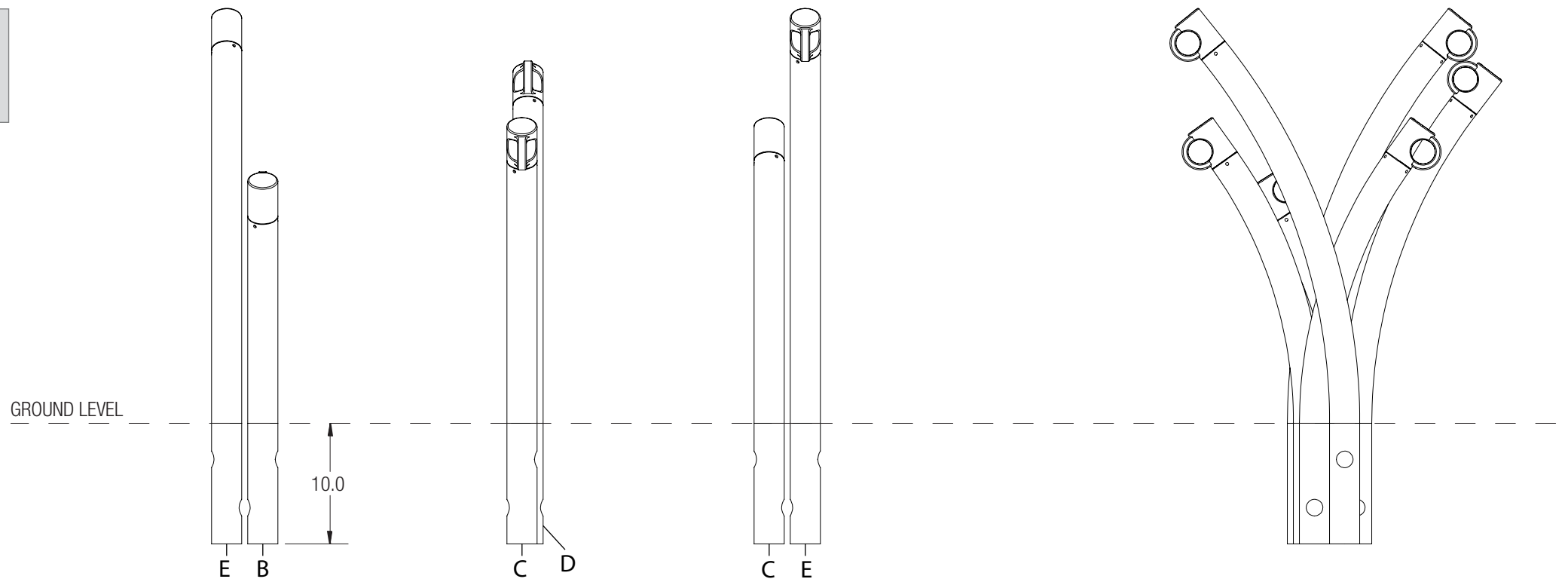
B

A



KEY

A = SKGAR-162	D = SKGAR-300
B = SKGAR-208	E = SKGAR-344
C = SKGAR-254	F = SKGAR-391



CUSTOMER APPROVAL:
 X _____
 DATE:
 X _____

UNLESS OTHERWISE SPECIFIED, DIMENSIONS ARE IN INCHES

FORMS+SURFACES® 30 Pine Street, Pittsburgh, PA 15223
 Tel (800) 451-0410 Fax (412) 781-7840

SPECIFIED): FRACTIONAL: ±1/32 ANGULAR/BEND: ±1°* TWO PLACE DECIMAL ±.030 THREE PLACE DECIMAL ±.020		DATE 6/21/2013	BIKE GARDEN BIKE RACK CONFIGURATION A CAST-IN-PLACE	
MATERIAL: SEE DATA SHEET		DO NOT SCALE DRAWING		
FINISH: SEE DATA SHEET		PROPRIETARY AND CONFIDENTIAL		SIZE B
WEIGHT: 73.3 LBS		THE INFORMATION CONTAINED IN THIS DRAWING IS THE SOLE PROPERTY OF FORMS + SURFACES. ANY REPRODUCTION IN PART OR AS A WHOLE WITHOUT WRITTEN PERMISSION IS PROHIBITED.		DWG. NO. SKGAR-A-CIP-TD
SOURCE: MDW				REV 0
SCALE: N.T.S.				SHEET 1 OF 1

8 7 6 5 4 3 2 1