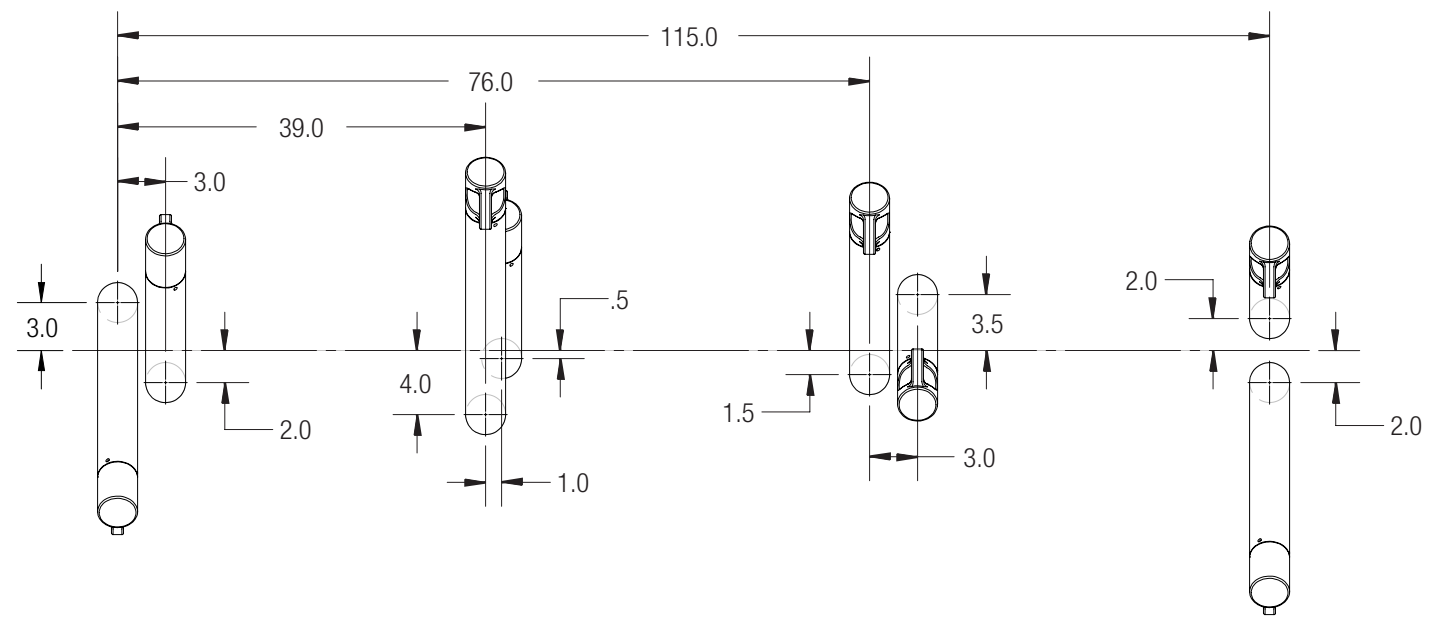


8 7 6 5 4 3 2 1

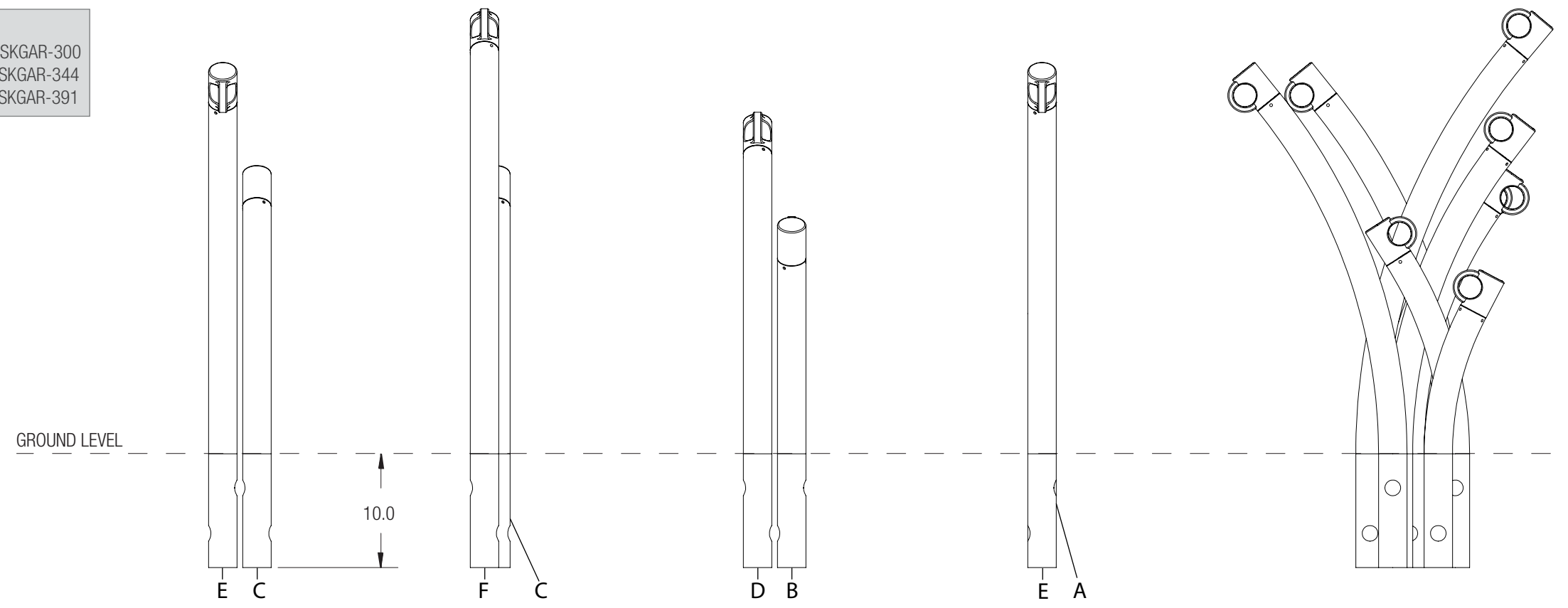
D
C
B
A

D
C
B
A



KEY

A = SKGAR-162	D = SKGAR-300
B = SKGAR-208	E = SKGAR-344
C = SKGAR-254	F = SKGAR-391



CUSTOMER APPROVAL:
 X _____
 DATE:
 X _____

UNLESS OTHERWISE SPECIFIED, DIMENSIONS ARE IN INCHES

FORMS+SURFACES® 30 Pine Street, Pittsburgh, PA 15223
 Tel (800) 451-0410 Fax (412) 781-7840

SPECIFIED:		DATE	BIKE GARDEN BIKE RACK	
FRACTIONAL:	±1/32	6/21/2013	CONFIGURATION B	
ANGULAR/BEND:	±1°*		CAST-IN-PLACE	
TWO PLACE DECIMAL:	±.030		SIZE	DWG. NO.
THREE PLACE DECIMAL:	±.020		B	SKGAR-B-CIP-TD
MATERIAL: SEE DATA SHEET		DO NOT SCALE DRAWING		REV
FINISH: SEE DATA SHEET		PROPRIETARY AND CONFIDENTIAL		0
WEIGHT: 97.3 LBS		THE INFORMATION CONTAINED IN THIS DRAWING IS THE SOLE PROPERTY OF FORMS + SURFACES. ANY REPRODUCTION IN PART OR AS A WHOLE WITHOUT WRITTEN PERMISSION IS PROHIBITED.		SHEET
SOURCE: MDW				1 OF 1
SCALE: N.T.S.				

8 7 6 5 4 3 2 1