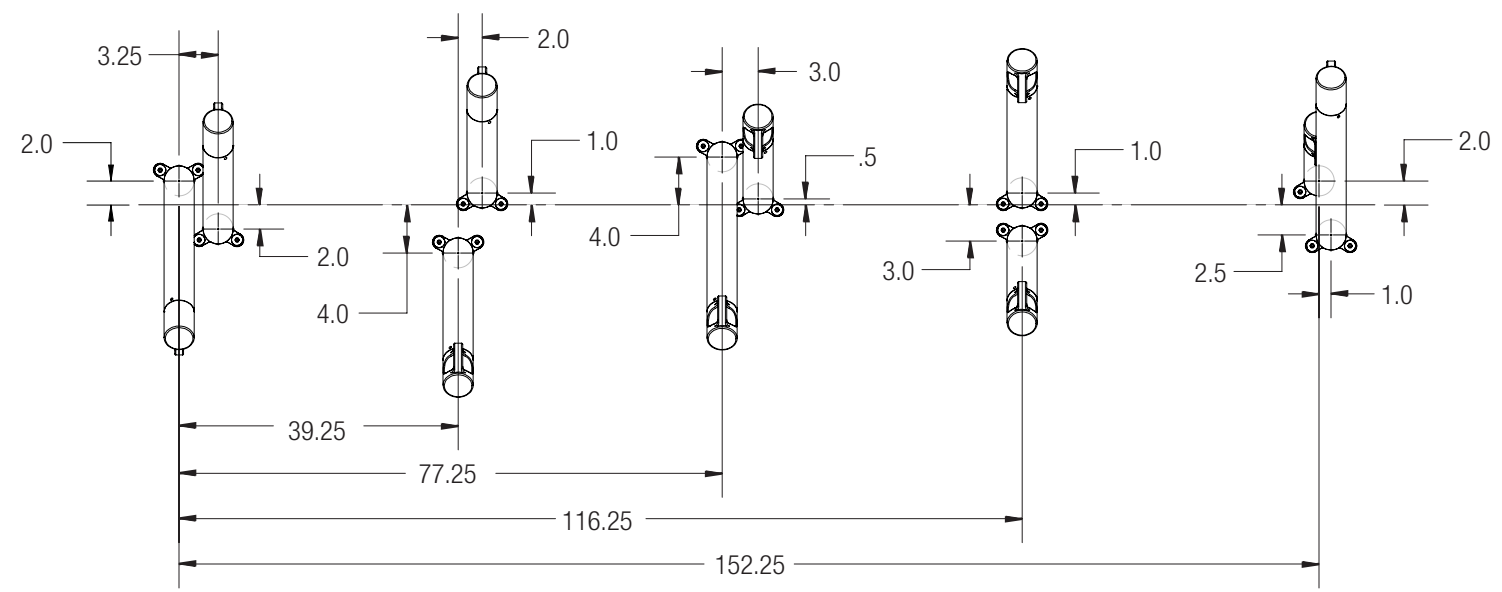


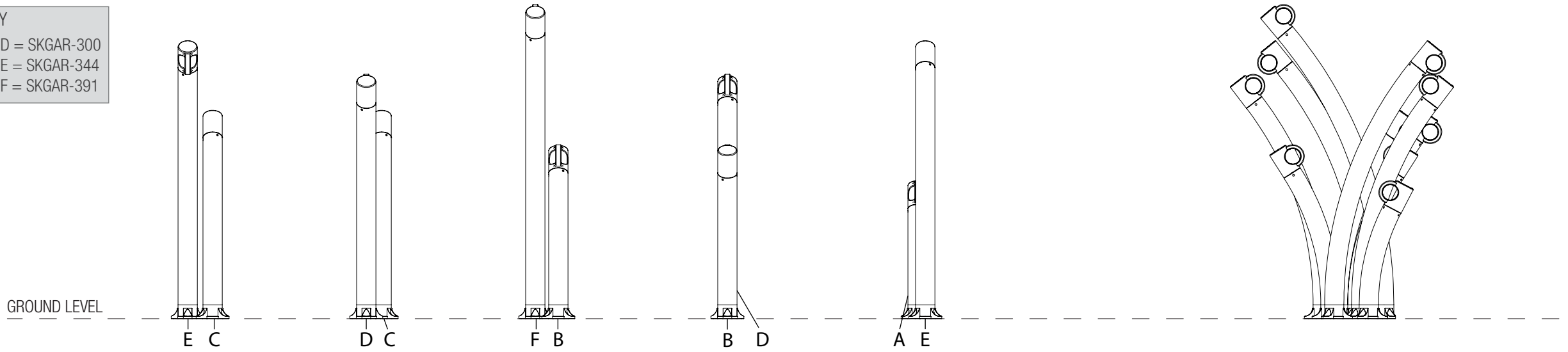
8 7 6 5 4 3 2 1

D
C
B
A



KEY

A = SKGAR-162	D = SKGAR-300
B = SKGAR-208	E = SKGAR-344
C = SKGAR-254	F = SKGAR-391



CUSTOMER APPROVAL:

X _____

DATE:

X _____

UNLESS OTHERWISE SPECIFIED, DIMENSIONS ARE IN INCHES		FORMS+SURFACES ® 30 Pine Street, Pittsburgh, PA 15223 Tel (800) 451-0410 Fax (412) 781-7840	
SPECIFIED): FRACTIONAL: ±1/32 ANGULAR/BEND: ±1°* TWO PLACE DECIMAL ±.030 THREE PLACE DECIMAL ±.020	DATE	BIKE GARDEN BIKE RACK CONFIGURATION C SURFACE MOUNT	
MATERIAL: SEE DATA SHEET	6/21/2013		
FINISH: SEE DATA SHEET	DO NOT SCALE DRAWING	SIZE	DWG. NO.
WEIGHT: 124.8 LBS	PROPRIETARY AND CONFIDENTIAL	B	SKGAR-C-SM-TD
SOURCE: MDW	THE INFORMATION CONTAINED IN THIS DRAWING IS THE SOLE PROPERTY OF FORMS + SURFACES. ANY REPRODUCTION IN PART OR AS A WHOLE WITHOUT WRITTEN PERMISSION IS PROHIBITED.	REV	SHEET
SCALE: N.T.S.		0	1 OF 1

8 7 6 5 4 3 2 1