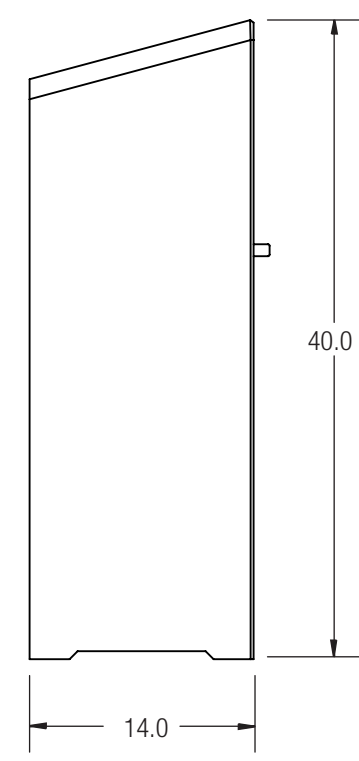
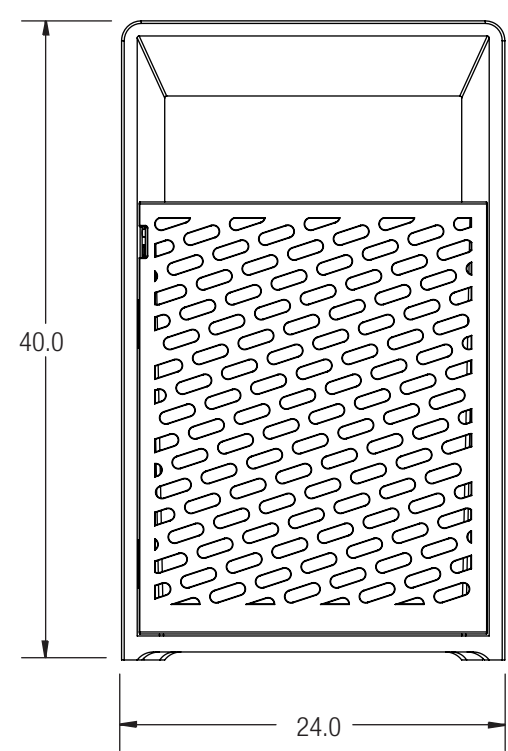
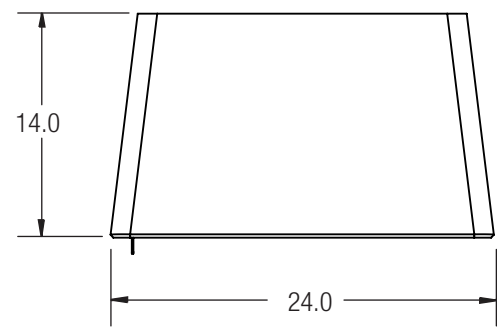


8 7 6 5 4 3 2 1

D
C
B
A



D
C
B
A

CUSTOMER APPROVAL:

X _____

DATE:

X _____

SLIGHT VARIATIONS IN COLOR AND SURFACE TEXTURE CAN OCCUR DUE TO THE NATURE OF THE TENSL MANUFACTURING PROCESS.

| | | | |
|---|--|--|--|
| UNLESS OTHERWISE SPECIFIED, DIMENSIONS ARE IN INCHES | | FORMS+SURFACES ® 30 Pine Street, Pittsburgh, PA 15223 Tel (800) 451-0410 Fax (412) 781-7840 | |
| TOLERANCES (UNLESS OTHERWISE SPECIFIED): | | DATE | BEVEL LITTER RECEPTACLE 22 GALLON, SIDE OPENING SLBVL-122A |
| FRACTIONAL: ±1/32 ANGULAR/BEND: ±1°* TWO PLACE DECIMAL ±.030 THREE PLACE DECIMAL ±.020 | | 09/09/2016 | |
| MATERIAL: SEE DATA SHEET | | DO NOT SCALE DRAWING | |
| FINISH: SEE DATA SHEET | | PROPRIETARY AND CONFIDENTIAL | |
| WEIGHT: SEE DATA SHEET | | THE INFORMATION CONTAINED IN THIS DRAWING IS THE SOLE PROPERTY OF FORMS + SURFACES. ANY REPRODUCTION IN PART OR AS A WHOLE WITHOUT WRITTEN PERMISSION IS PROHIBITED. | |
| SOURCE: M | | SIZE | DWG. NO. |
| SCALE: N.T.S. | | B | SLBVL-122A |
| | | REV | SHEET |
| | | 0 | 1 OF 1 |

8 7 6 5 4 3 2 1