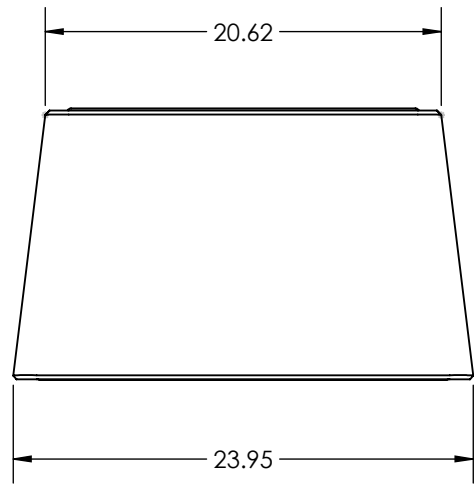
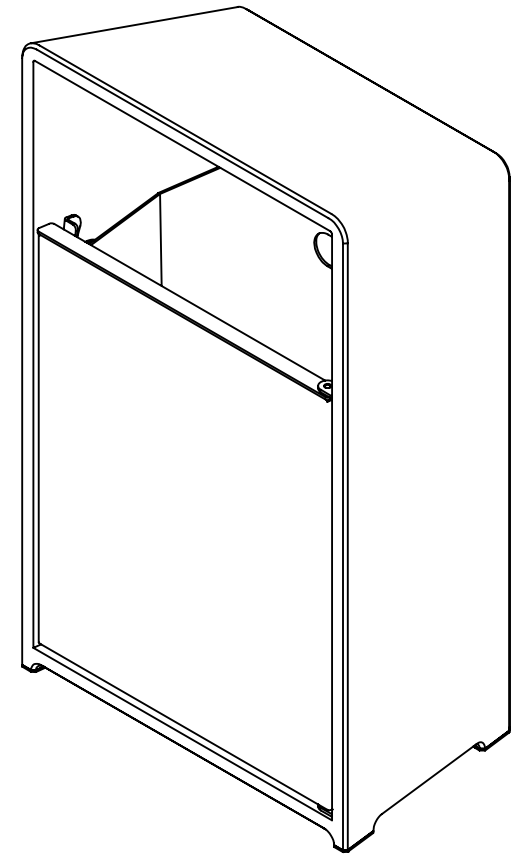


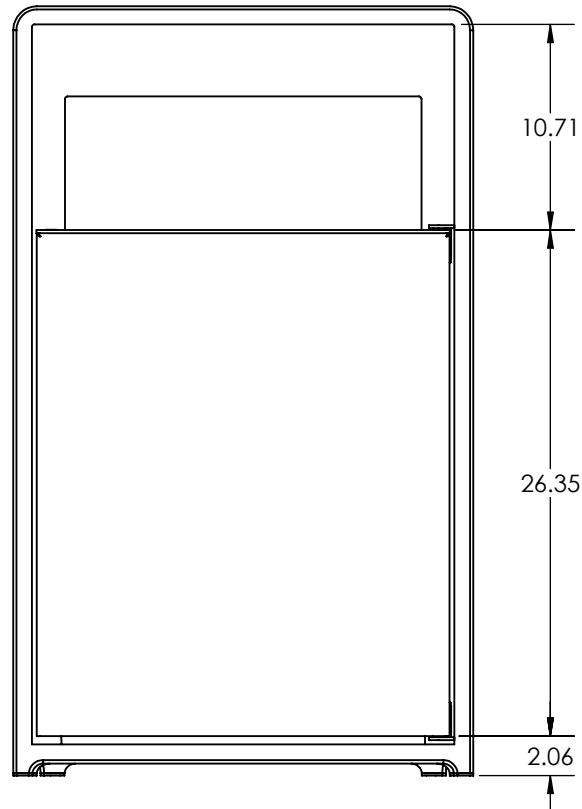
8 7 6 5 4 3 2 1



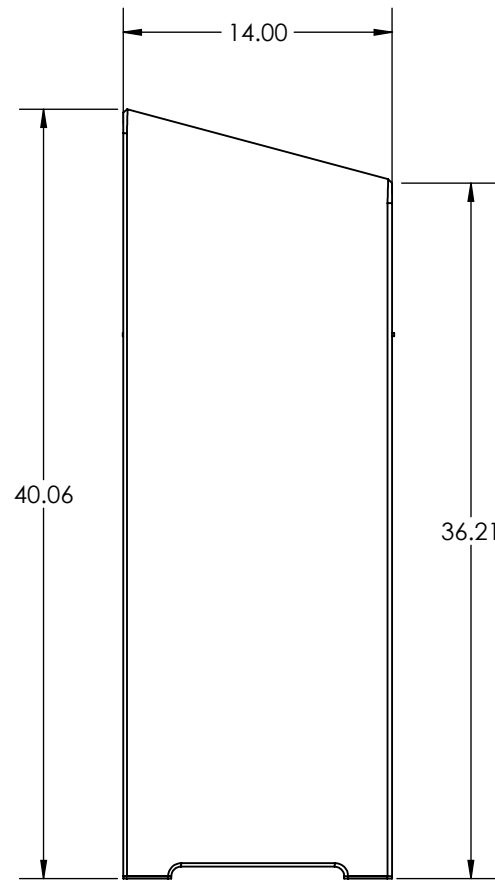
TOP VIEW



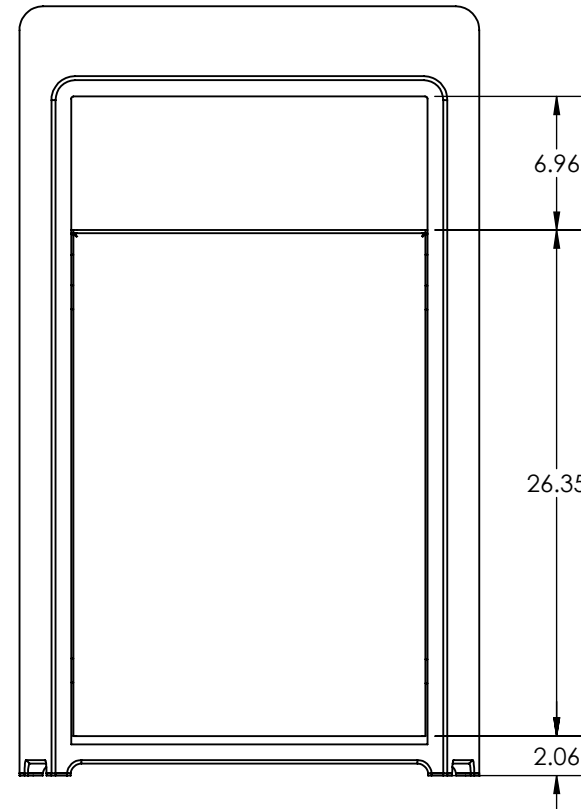
ISOMETRIC VIEW



FRONT VIEW



SIDE VIEW



BACK VIEW

D
C
B
A

D
C
B
A

CUSTOMER APPROVAL:

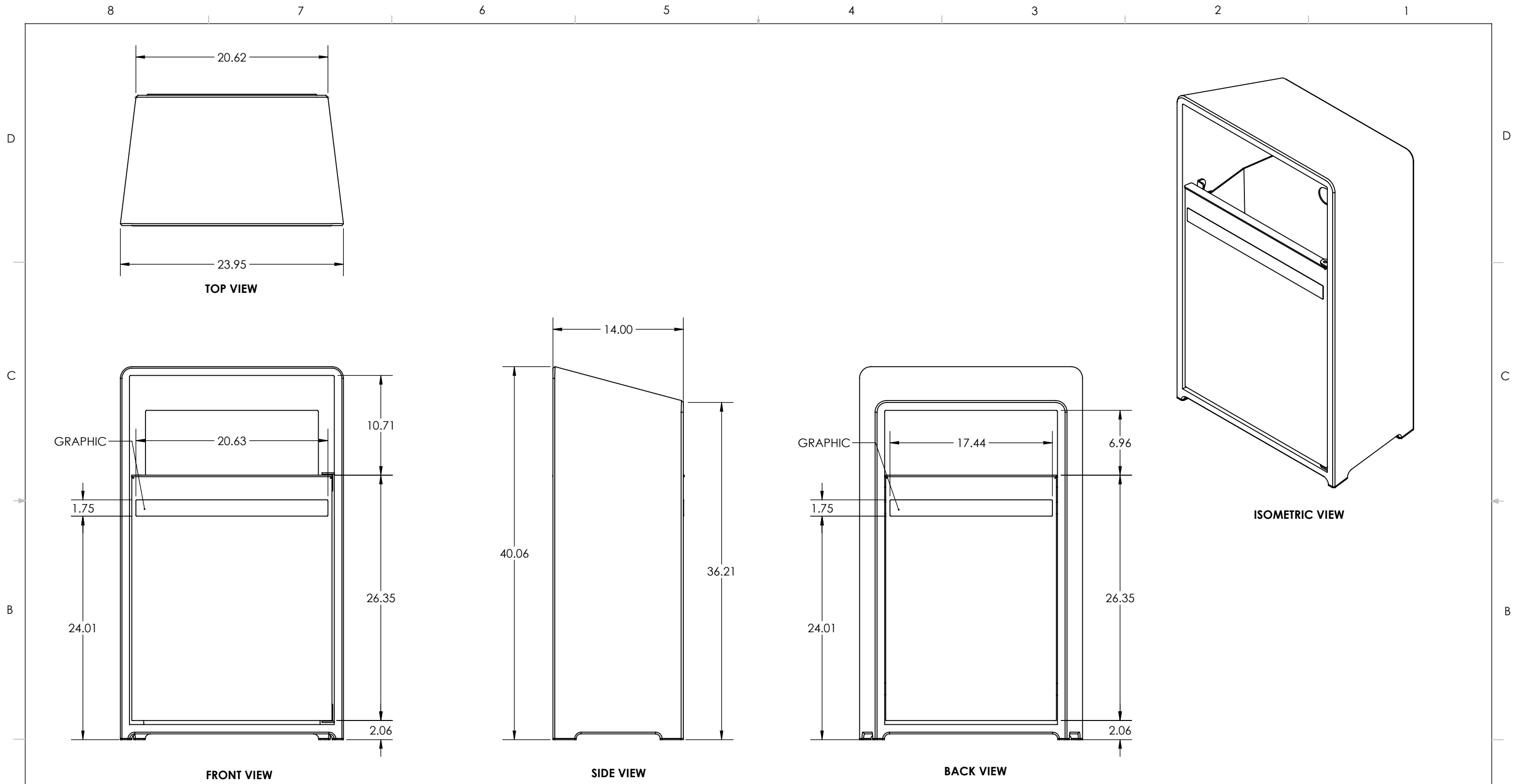
X _____

DATE:

X _____

UNLESS OTHERWISE SPECIFIED: 1. PRIMARY DIM. ARE IN INCHES & SECONDARY [DIM] IN MM 2. TOLERANCES FRACTIONAL: ±1/32; ANGULAR/BEND: ±1° TWO PLACE DECIMAL ±.030 THREE PLACE DECIMAL ±.020 3. REMOVE ALL BURRS AND SHARP EDGES THIRD ANGLE PROJECTION				30 Pine Street, Pittsburgh, PA 15223 Tel (412) 781-9003 Fax (412) 781-7840	
MATERIAL: SEE DATA SHEET FINISH: SEE DATA SHEET WEIGHT: SEE DATA SHEET SCALE: NOT TO SCALE		NAME: DWN DEF DATE: 4/6/2021 CHECKED: CHK		DESCRIPTION: SLBVL-122,SST,SOLID,FRS BEVEL RECEPTACLE, STAINLESS STEEL DOOR/BACK, SOLID, FREESTANDING	
PROPRIETARY AND CONFIDENTIAL THE INFORMATION CONTAINED IN THIS DRAWING IS THE SOLE PROPERTY OF FORMS + SURFACES. ANY REPRODUCTION IN PART OR AS A WHOLE WITHOUT WRITTEN PERMISSION IS PROHIBITED.		SIZE: B	DWG. NO.: SLBVL-122-SST-SOLID-CS	REV: 0	SHEET: 1 OF 1

8 7 6 5 4 3 2 1



CUSTOMER APPROVAL:

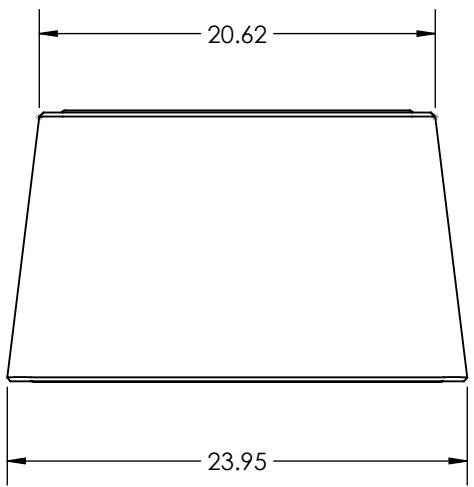
X _____

DATE:

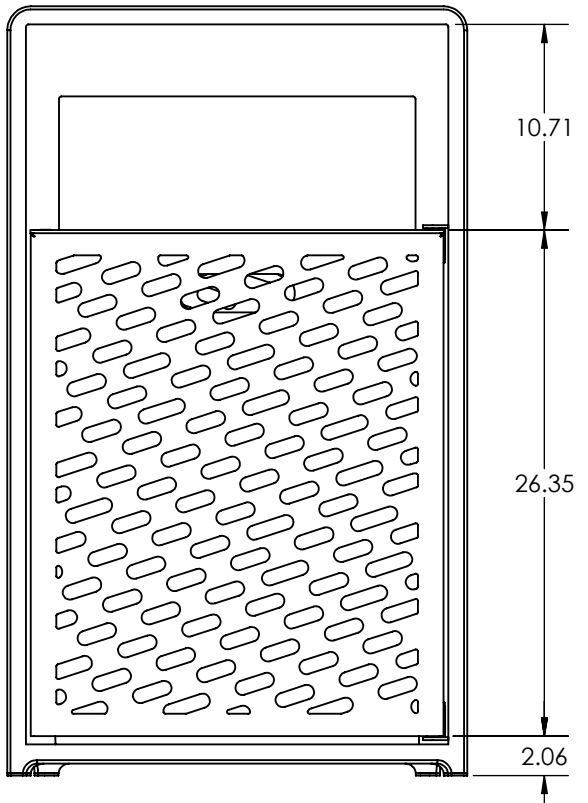
X _____

UNLESS OTHERWISE SPECIFIED: 1. PRIMARY DIM. ARE IN INCHES & SECONDARY [DIM] IN MM 2. TOLERANCES FRACTIONAL: $\pm 1/32$; ANGULAR/BEND: $\pm 1^\circ$ TWO PLACE DECIMAL $\pm .030$ THREE PLACE DECIMAL $\pm .020$ 3. REMOVE ALL BURRS AND SHARP EDGES				30 Pine Street, Pittsburgh, PA 15223 Tel (412) 781-9003 Fax (412) 781-7840	
MATERIAL: SEE DATA SHEET FINISH: SEE DATA SHEET WEIGHT: SEE DATA SHEET SCALE: NOT TO SCALE		NAME: DWN DEF: DEF DATE: 4/6/2021		DESCRIPTION: SLBVL-122,SST,SOLID,GRPH,FRS BEVEL RECEPTACLE, STAINLESS STEEL DOOR/BACK, SOLID, WITH GRAPHICS, FREESTANDING	
THIRD ANGLE PROJECTION		DO NOT SCALE DRAWING		PROPRIETARY AND CONFIDENTIAL THE INFORMATION CONTAINED IN THIS DRAWING IS THE SOLE PROPERTY OF FORMS + SURFACES. ANY REPRODUCTION IN PART OR AS A WHOLE WITHOUT WRITTEN PERMISSION IS PROHIBITED.	
SIZE	DWG. NO.	REV	SHEET		
B	SLBVL-122-SST-SOLID-GRPH-CS	0	1 OF 1		

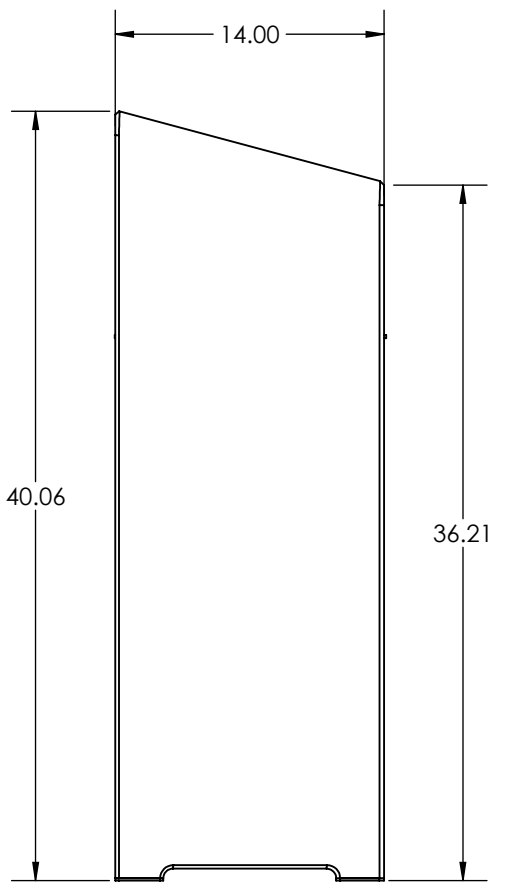
8 7 6 5 4 3 2 1



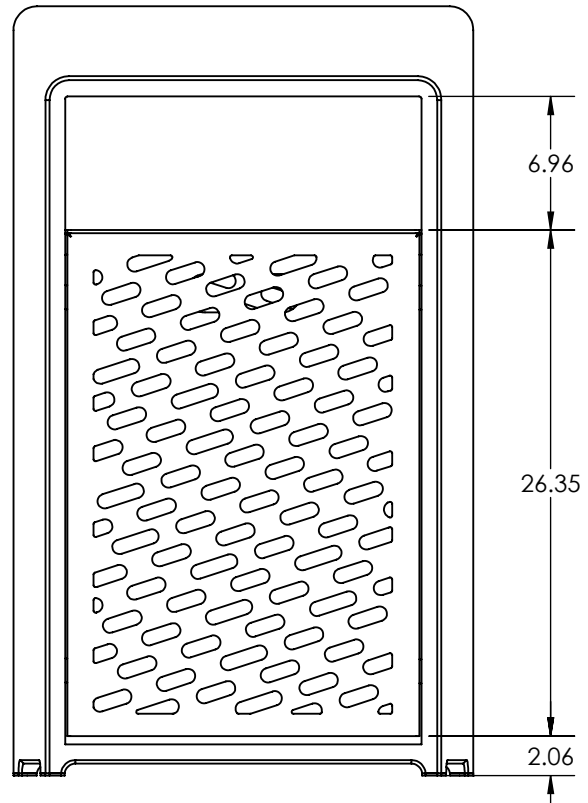
TOP VIEW



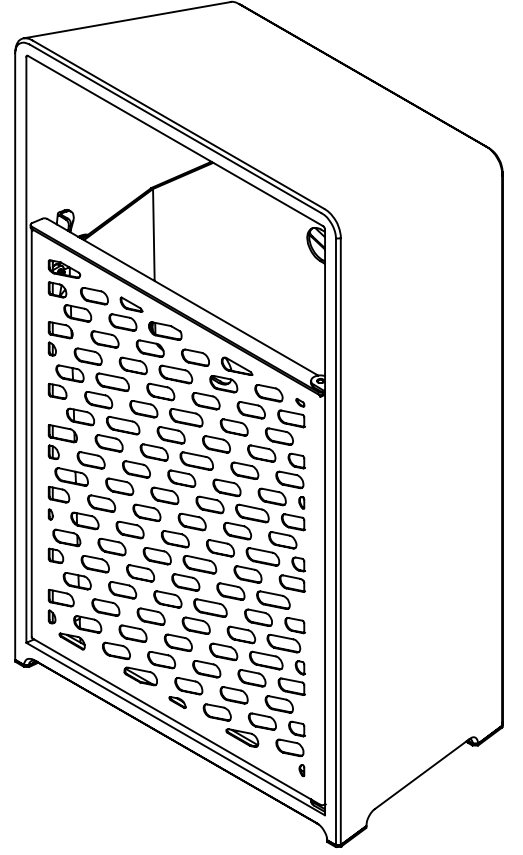
FRONT VIEW



SIDE VIEW



BACK VIEW



ISOMETRIC VIEW

D
C
B
A

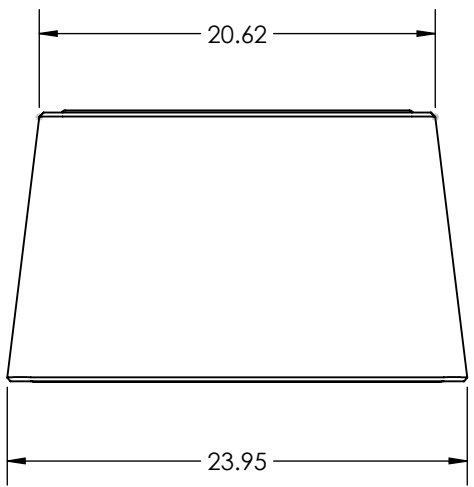
D
C
B
A

CUSTOMER APPROVAL:
X _____
DATE:
X _____

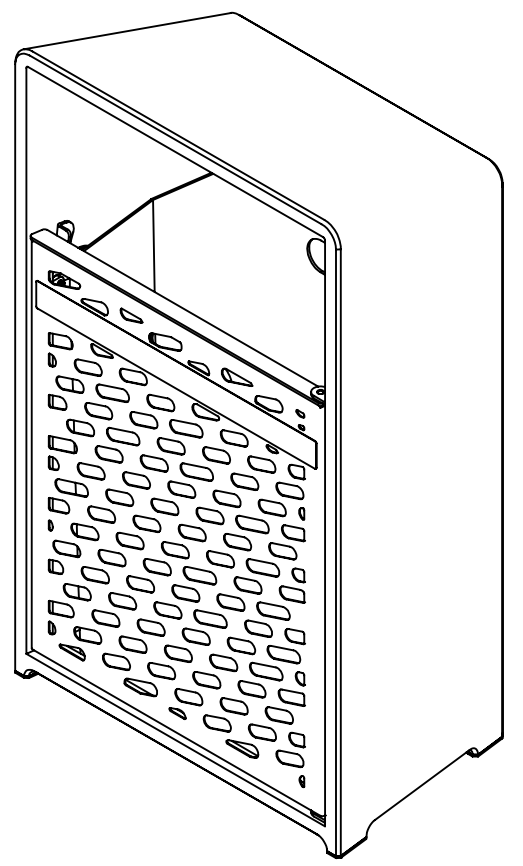
UNLESS OTHERWISE SPECIFIED: 1. PRIMARY DIM. ARE IN INCHES & SECONDARY [DIM] IN MM 2. TOLERANCES FRACTIONAL: ±1/32; ANGULAR/BEND: ±1° TWO PLACE DECIMAL ±.030 THREE PLACE DECIMAL ±.020 3. REMOVE ALL BURRS AND SHARP EDGES THIRD ANGLE PROJECTION				30 Pine Street, Pittsburgh, PA 15223 Tel (412) 781-9003 Fax (412) 781-7840	
NAME	DATE	DESCRIPTION:			
DWN	DEF	SLBVL-122,SST,PERF,FRS BEVEL RECEPTACLE, STAINLESS STEEL DOOR/BACK, PERFORATED, NO GRAPHICS, FREESTANDING			
CHK		DO NOT SCALE DRAWING PROPRIETARY AND CONFIDENTIAL THE INFORMATION CONTAINED IN THIS DRAWING IS THE SOLE PROPERTY OF FORMS + SURFACES. ANY REPRODUCTION IN PART OR AS A WHOLE WITHOUT WRITTEN PERMISSION IS PROHIBITED.			
MATERIAL: SEE DATA SHEET		SIZE	DWG. NO.	REV	SHEET
FINISH: SEE DATA SHEET		B	SLBVL-122-SST-PERF-CS	0	1 OF 1
WEIGHT: SEE DATA SHEET					
SCALE: NOT TO SCALE					

8 7 6 5 4 3 2 1

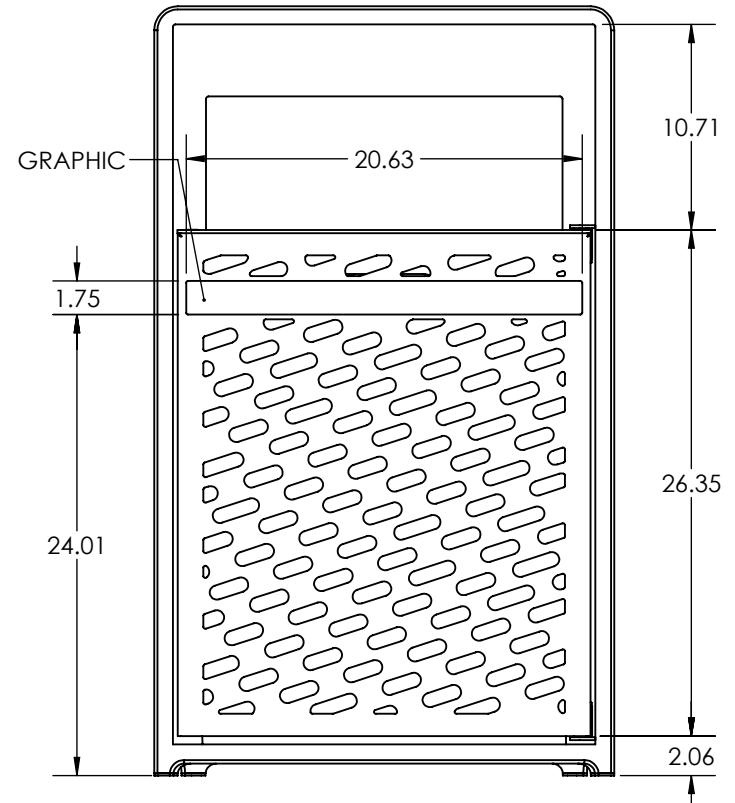
8 7 6 5 4 3 2 1



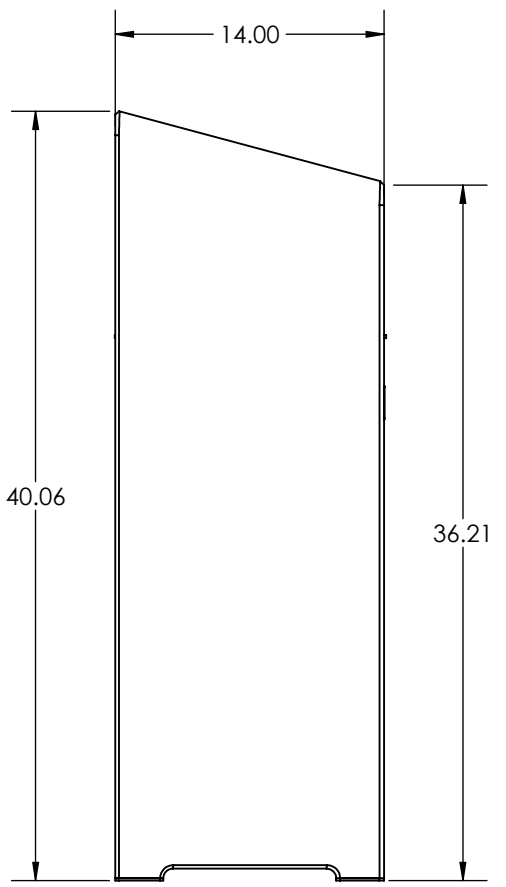
TOP VIEW



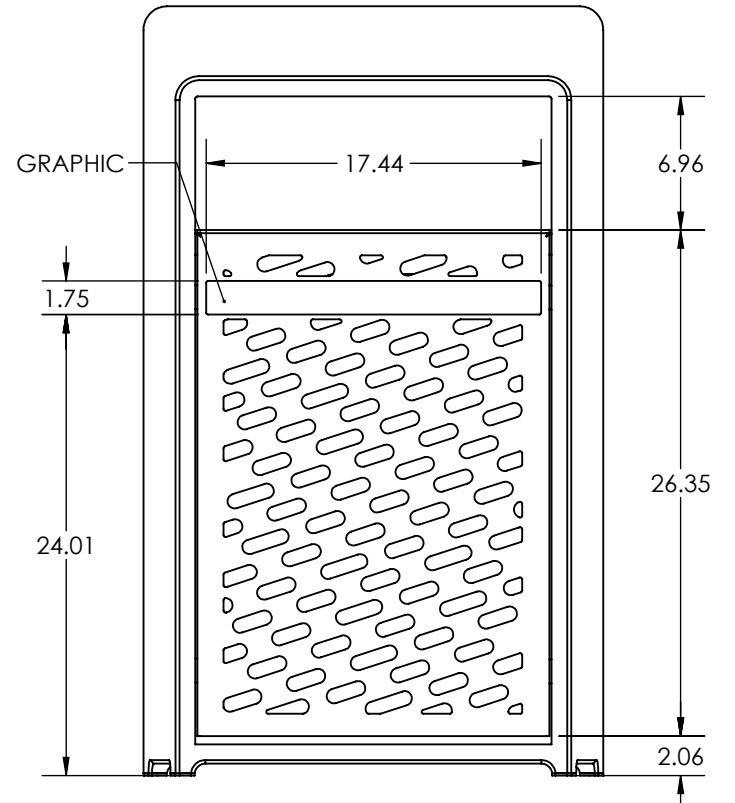
ISOMETRIC VIEW



FRONT VIEW



SIDE VIEW



BACK VIEW

D
C
B
A

D
C
B
A

CUSTOMER APPROVAL:
X _____
DATE:
X _____

UNLESS OTHERWISE SPECIFIED:
1. PRIMARY DIM. ARE IN INCHES & SECONDARY [DIM] IN MM
2. TOLERANCES
FRACTIONAL: ±1/32; ANGULAR/BEND: ±1°
TWO PLACE DECIMAL ±.030
THREE PLACE DECIMAL ±.020
3. REMOVE ALL BURRS AND SHARP EDGES
THIRD ANGLE PROJECTION
MATERIAL: SEE DATA SHEET
FINISH: SEE DATA SHEET
WEIGHT: SEE DATA SHEET
SCALE: NOT TO SCALE



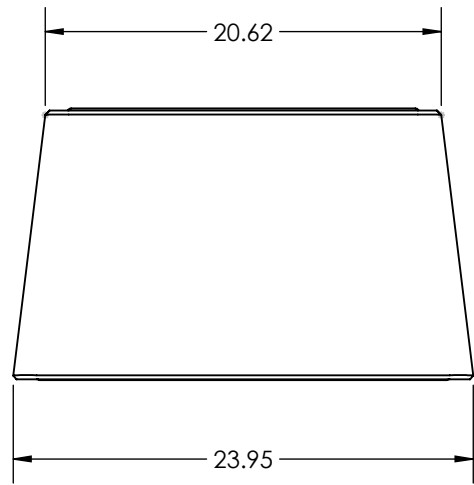
30 Pine Street, Pittsburgh, PA 15223
Tel (412) 781-9003 Fax (412) 781-7840

NAME	DATE
DWN DEF	4/6/2021
CHK	

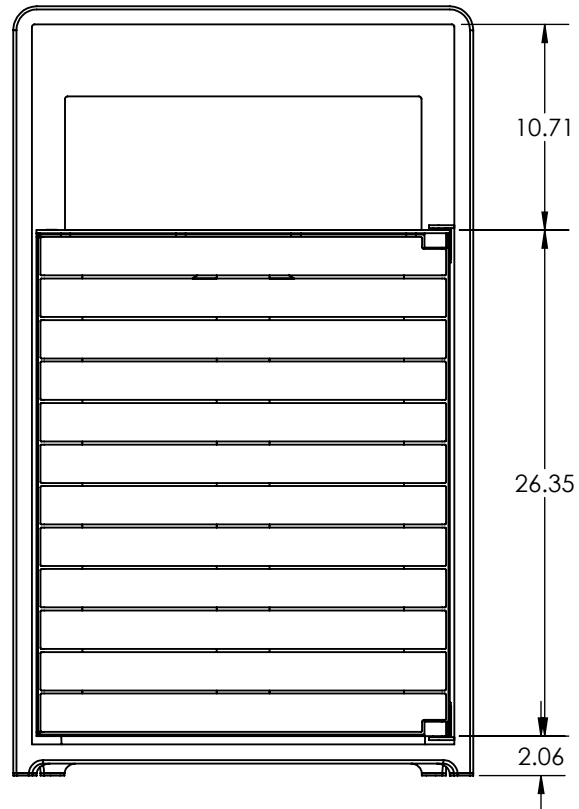
DESCRIPTION:			
SLBVL-122,SST,PERF,GRPH,FRS			
BEVEL RECEPTACLE, STAINLESS STEEL DOOR/BACK, PERFORATED, WITH GRAPHICS, FREESTANDING			
SIZE	DWG. NO.	REV	SHEET
B	SLBVL-122-SST-PERF-GRPH-CS	0	1 OF 1

8 7 6 5 4 3 2 1

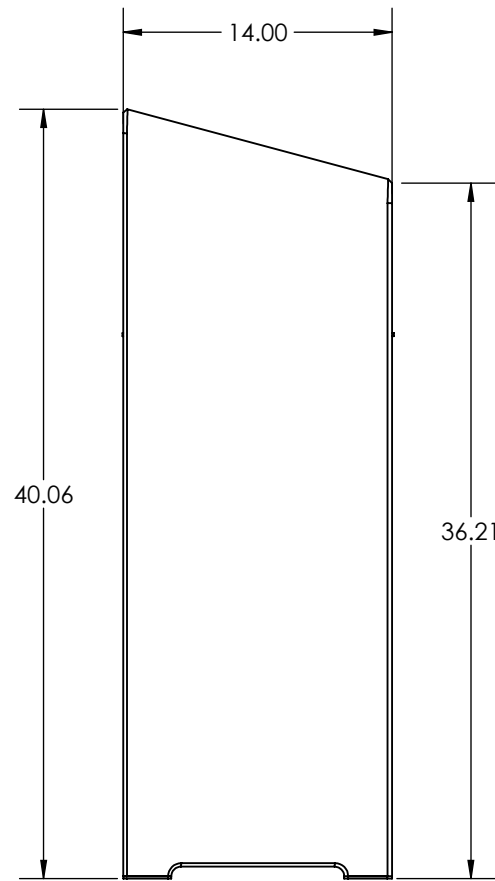
8 7 6 5 4 3 2 1



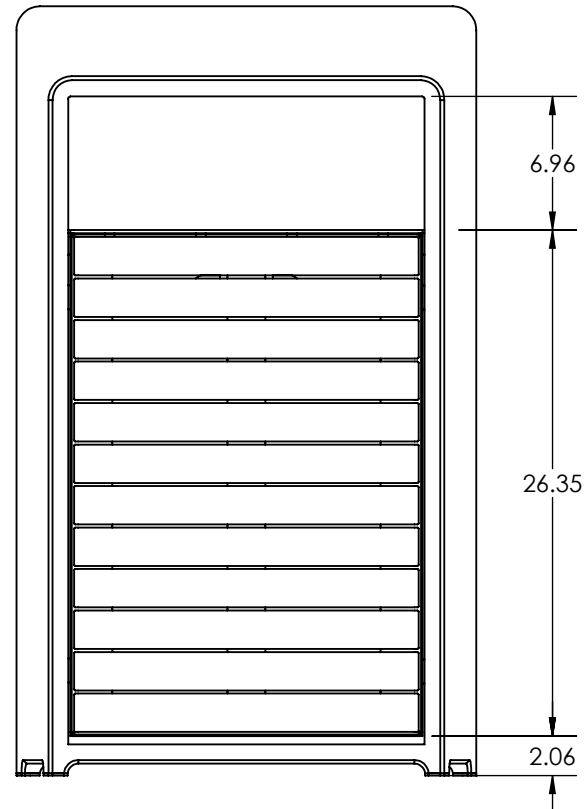
TOP VIEW



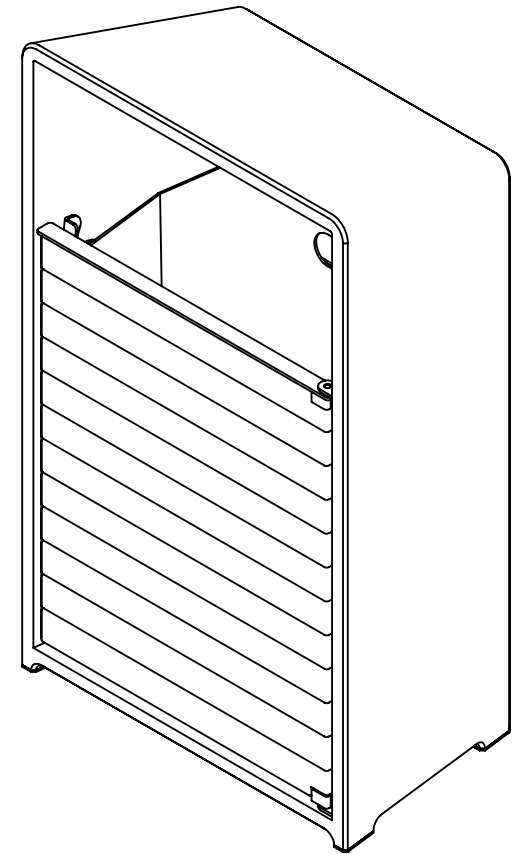
FRONT VIEW



SIDE VIEW



BACK VIEW



ISOMETRIC VIEW

D
C
B
A

D
C
B
A

CUSTOMER APPROVAL:

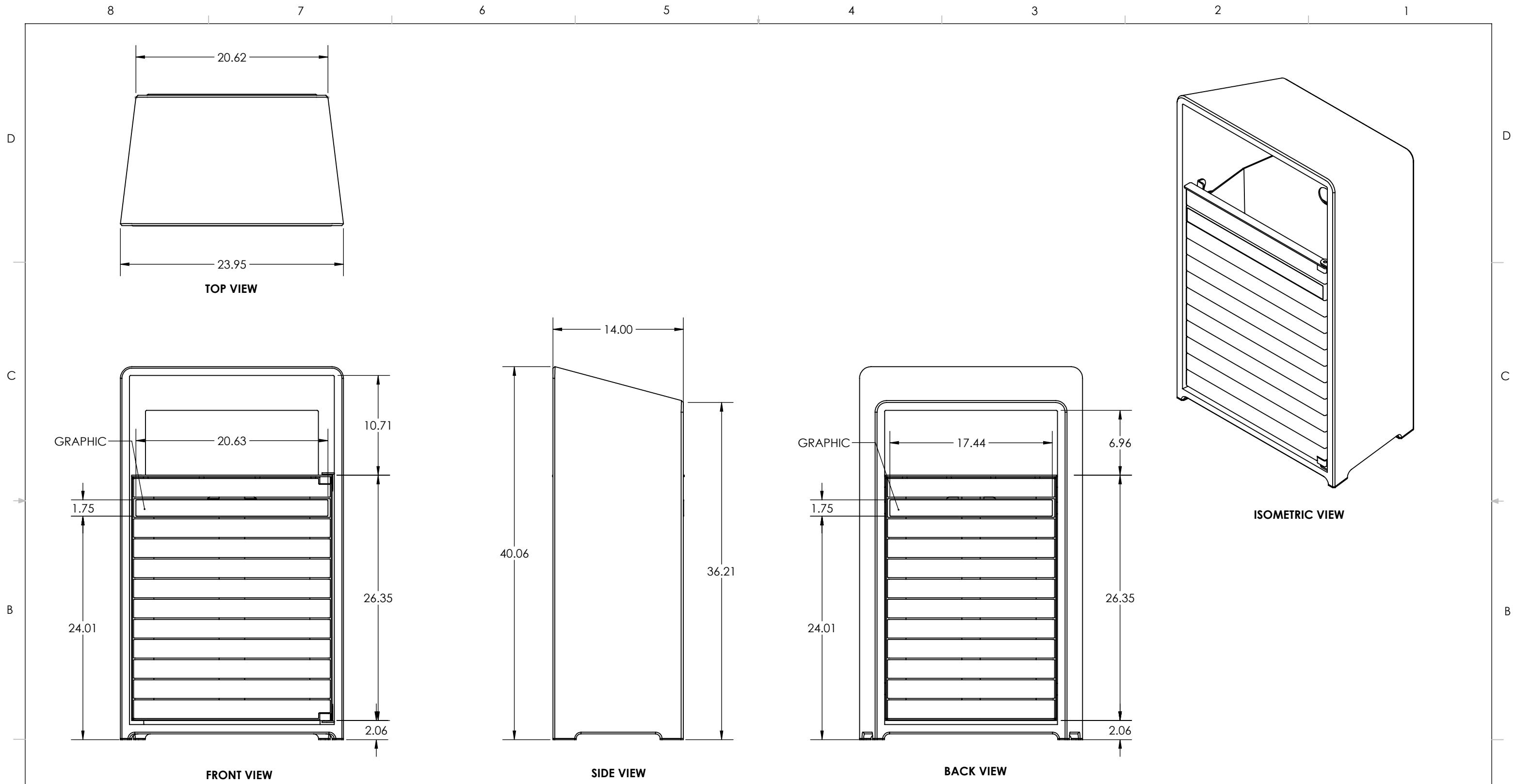
X _____

DATE:

X _____

UNLESS OTHERWISE SPECIFIED: 1. PRIMARY DIM. ARE IN INCHES & SECONDARY [DIM] IN MM 2. TOLERANCES FRACTIONAL: ±1/32; ANGULAR/BEND: ±1° TWO PLACE DECIMAL ±.030 THREE PLACE DECIMAL ±.020 3. REMOVE ALL BURRS AND SHARP EDGES				30 Pine Street, Pittsburgh, PA 15223 Tel (412) 781-9003 Fax (412) 781-7840	
MATERIAL: SEE DATA SHEET FINISH: SEE DATA SHEET WEIGHT: SEE DATA SHEET SCALE: NOT TO SCALE		THIRD ANGLE PROJECTION DO NOT SCALE DRAWING PROPRIETARY AND CONFIDENTIAL THE INFORMATION CONTAINED IN THIS DRAWING IS THE SOLE PROPERTY OF FORMS + SURFACES. ANY REPRODUCTION IN PART OR AS A WHOLE WITHOUT WRITTEN PERMISSION IS PROHIBITED.		DESCRIPTION: SLBVL-122,WOOD,FRS BEVEL RECEPTACLE, FSC 100% CUMARU DOOR/BACK, NO GRAPHICS, FREESTANDING	
		NAME DWN DEF	DATE 4/6/2021	SIZE B	DWG. NO. SLBVL-122-WOOD-CS
		CHK		REV 0	SHEET 1 OF 1

8 7 6 5 4 3 2 1



CUSTOMER APPROVAL:

X _____

DATE:

X _____

UNLESS OTHERWISE SPECIFIED: 1. PRIMARY DIM. ARE IN INCHES & SECONDARY [DIM] IN MM 2. TOLERANCES FRACTIONAL: ±1/32; ANGULAR/BEND: ±1° TWO PLACE DECIMAL ±.030 THREE PLACE DECIMAL ±.020 3. REMOVE ALL BURRS AND SHARP EDGES				30 Pine Street, Pittsburgh, PA 15223 Tel (412) 781-9003 Fax (412) 781-7840	
MATERIAL: SEE DATA SHEET FINISH: SEE DATA SHEET WEIGHT: SEE DATA SHEET SCALE: NOT TO SCALE		DO NOT SCALE DRAWING PROPRIETARY AND CONFIDENTIAL THE INFORMATION CONTAINED IN THIS DRAWING IS THE SOLE PROPERTY OF FORMS + SURFACES. ANY REPRODUCTION IN PART OR AS A WHOLE WITHOUT WRITTEN PERMISSION IS PROHIBITED.		DESCRIPTION: SLBVL-122, WOOD, GRPH, FRS BEVEL RECEPTACLE, FSC 100% CUMARU DOOR/BACK, WITH GRAPHICS, FREESTANDING	
		NAME DWN DEF 4/6/2021	DATE 4/6/2021	SIZE B	DWG. NO. SLBVL-122-WOOD-GRPH-CS
		CHK		REV 0	SHEET 1 OF 1

A

A