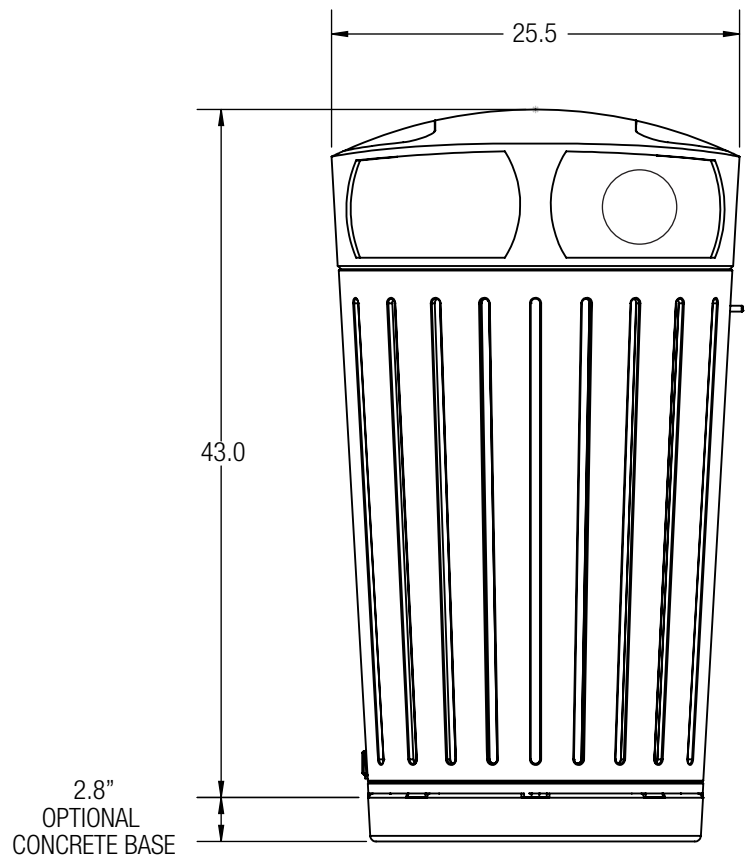
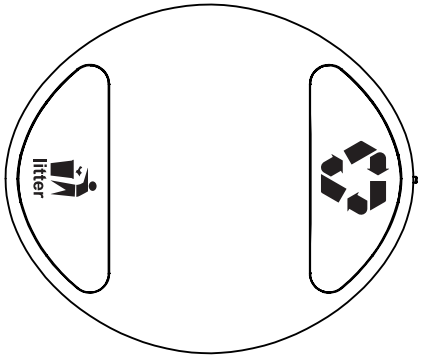


8 7 6 5 4 3 2 1

D  
C  
B  
A

D  
C  
B  
A



CUSTOMER APPROVAL:

X \_\_\_\_\_

DATE:

X \_\_\_\_\_

UNLESS OTHERWISE SPECIFIED,  
DIMENSIONS ARE IN INCHES

TOLERANCES:  
FRACTIONAL:  $\pm 1/32$   
ANGULAR:  $\pm 1^\circ$   
BEND  $\pm 2^\circ$   
TWO PLACE DECIMAL  $\pm .030$   
THREE PLACE DECIMAL  $\pm .020$

MATERIAL: SEE DATA SHEET

FINISH: SEE DATA SHEET

WEIGHT: 179 LBS

SOURCE: M

SCALE: N.T.S.

**FORMS+SURFACES**® 30 Pine Street, Pittsburgh, PA 15223  
Tel (800) 451-0410 Fax (412) 781-7840

DATE	01/01/2011
DO NOT SCALE DRAWING	
PROPRIETARY AND CONFIDENTIAL	
THE INFORMATION CONTAINED IN THIS DRAWING IS THE SOLE PROPERTY OF FORMS + SURFACES. ANY REPRODUCTION IN PART OR AS A WHOLE WITHOUT WRITTEN PERMISSION IS PROHIBITED.	

DISPATCH RECEPTACLE - 36 GAL  
(WITH TENSL UHPC BASE)  
SLDIS-136, SLDIS-216

SIZE	DWG. NO.	REV	SHEET
B	SLDIS-36C-TD	0	1 OF 1

8 7 6 5 4 3 2 1