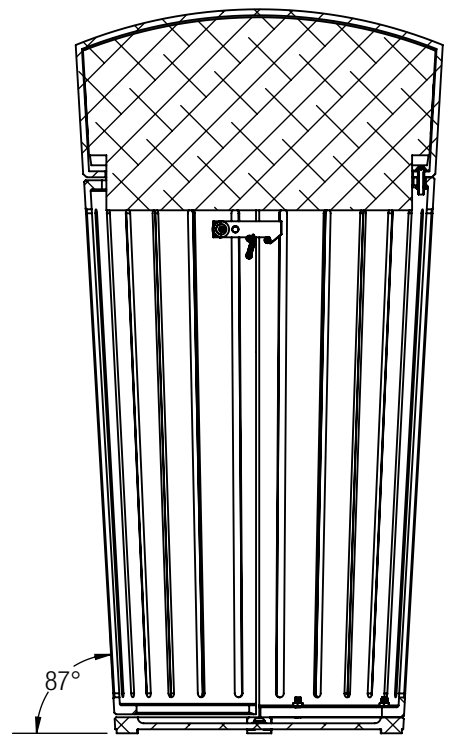
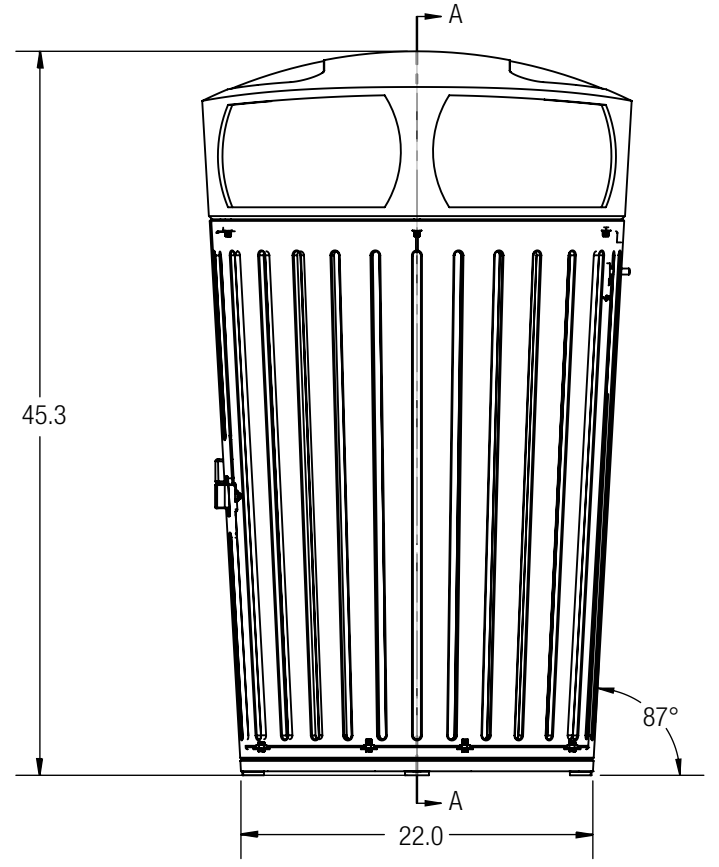
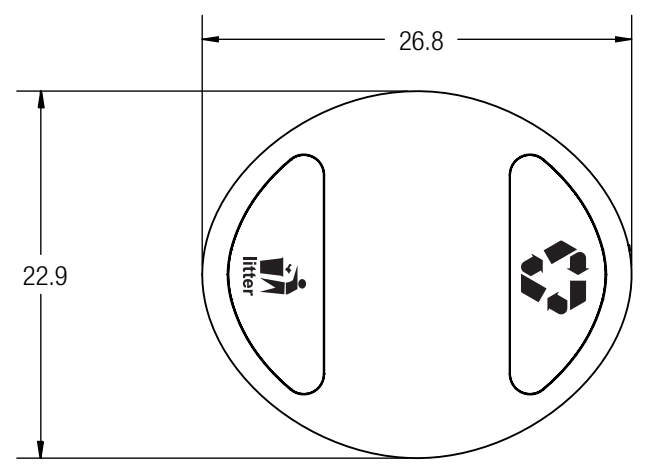


8 7 6 5 4 3 2 1



SECTION A-A

CUSTOMER APPROVAL:

X _____

DATE:

X _____

UNLESS OTHERWISE SPECIFIED, DIMENSIONS ARE IN INCHES

TOLERANCES:
FRACTIONAL: ±1/32
ANGULAR: ±1°
BEND ±2°
TWO PLACE DECIMAL ±.030
THREE PLACE DECIMAL ±.020

MATERIAL: SEE DATA SHEET

FINISH: SEE DATA SHEET

WEIGHT: 125 LBS

SOURCE: M

SCALE: N.T.S.

FORMS+SURFACES® 30 Pine Street, Pittsburgh, PA 15223
Tel (800) 451-0410 Fax (412) 781-7840

DATE
01/01/2011

DO NOT SCALE DRAWING

PROPRIETARY AND CONFIDENTIAL
THE INFORMATION CONTAINED IN THIS DRAWING IS THE SOLE PROPERTY OF FORMS + SURFACES. ANY REPRODUCTION IN PART OR AS A WHOLE WITHOUT WRITTEN PERMISSION IS PROHIBITED.

DISPATCH RECEPTACLE - 45 GAL
(NO CONCRETE BASE)
SLDIS-145, SLDIS-220

| SIZE | DWG. NO. | REV | SHEET |
|------|-------------|-----|--------|
| B | SLDIS-45-TD | 0 | 1 OF 1 |

8 7 6 5 4 3 2 1