

8 7 6 5 4 3 2 1

D

C

B

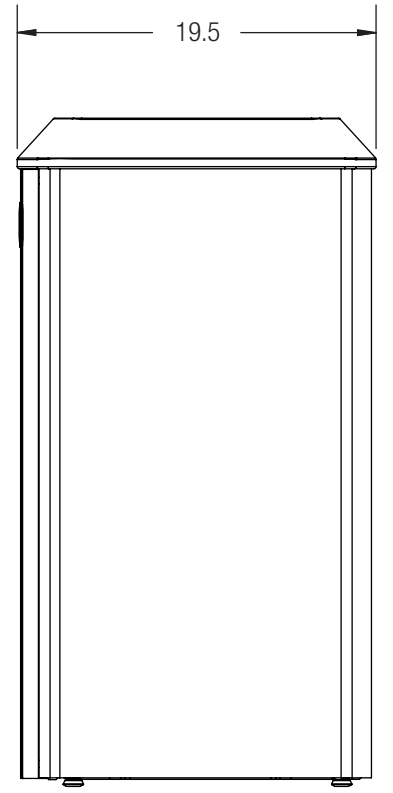
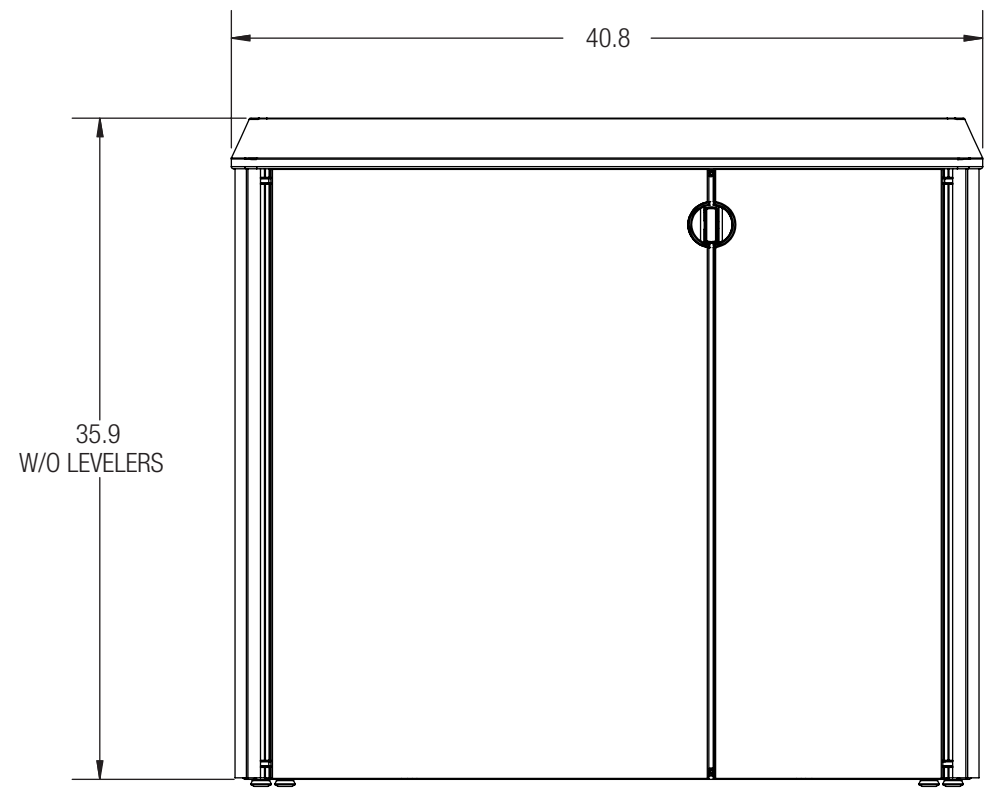
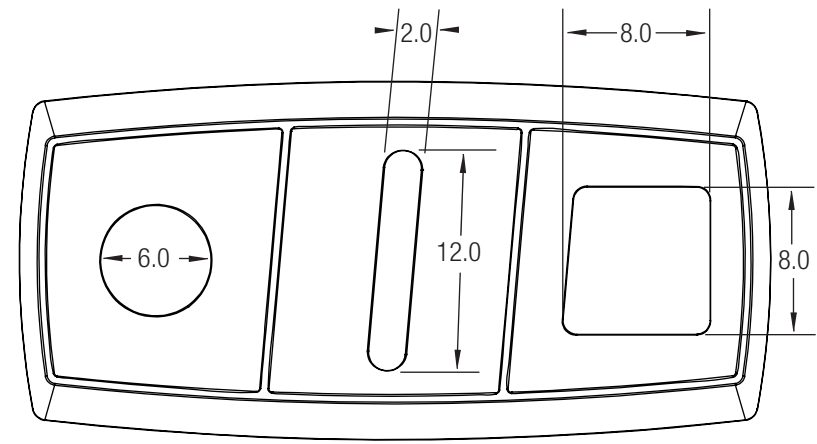
A

D

C

B

A



CUSTOMER APPROVAL:

X \_\_\_\_\_

DATE:

X \_\_\_\_\_

UNLESS OTHERWISE SPECIFIED, DIMENSIONS ARE IN INCHES		<b>FORMS+SURFACES</b> <sup>®</sup> 30 Pine Street, Pittsburgh, PA 15223 Tel (800) 451-0410 Fax (412) 781-7840	
TOLERANCES (UNLESS OTHERWISE SPECIFIED):		NAME	DATE
FRACTIONAL:	±1/32	DWN	XXX 06/27/2014
ANGULAR/BEND:	±1°		
TWO PLACE DECIMAL:	±.030		
THREE PLACE DECIMAL:	±.020		
MATERIAL: SEE DATA SHEET		DO NOT SCALE DRAWING	
FINISH: SEE DATA SHEET		PROPRIETARY AND CONFIDENTIAL	
WEIGHT: 117-128 LBS		THE INFORMATION CONTAINED IN THIS DRAWING IS THE SOLE PROPERTY OF FORMS + SURFACES. ANY REPRODUCTION IN PART OR AS A WHOLE WITHOUT WRITTEN PERMISSION IS PROHIBITED.	
SOURCE: M		SIZE	DWG. NO.
SCALE: N.T.S.		B	SLTRA-180-TD
		REV	SHEET
		1	1 OF 1

TRANSIT RECEPTACLE,  
TRI-STREAM,  
SLTRA-180

8 7 6 5 4 3 2 1