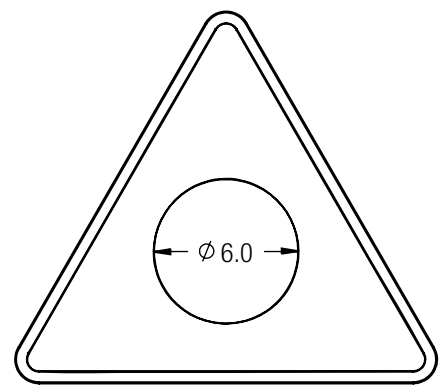
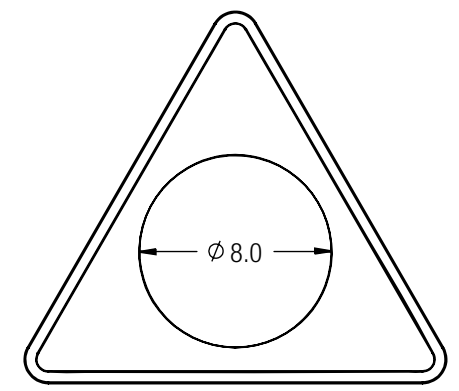


8 7 6 5 4 3 2 1

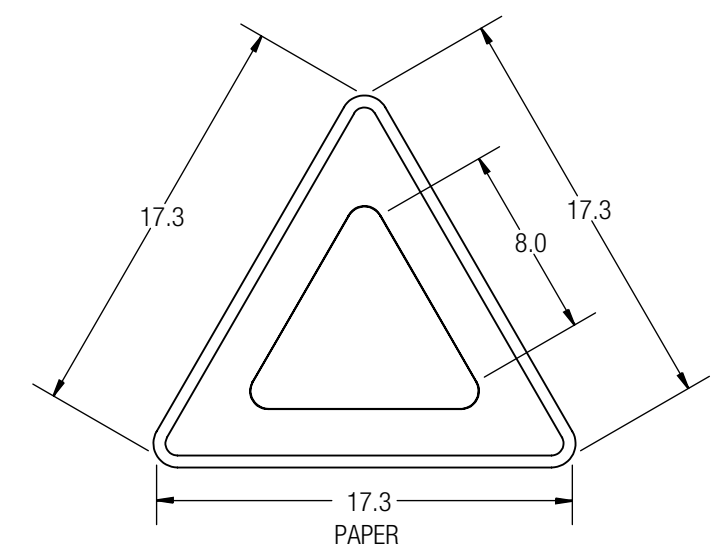
D
C
B
A



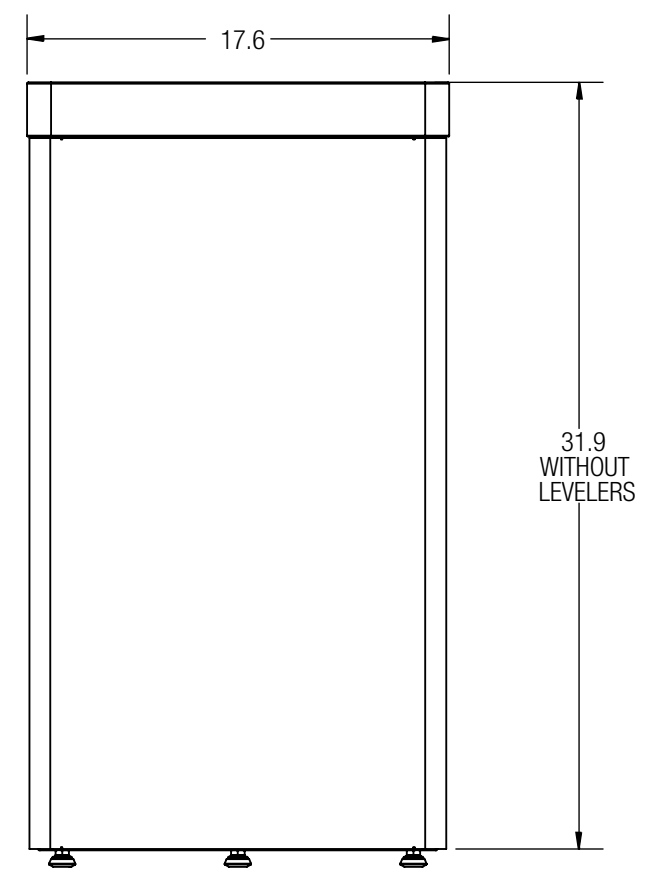
BOTTLES/CANS



LITTER



PAPER



CUSTOMER APPROVAL:

X _____

DATE:

X _____

UNLESS OTHERWISE SPECIFIED, DIMENSIONS ARE IN INCHES		FORMS+SURFACES ® 30 Pine Street, Pittsburgh, PA 15223 Tel (800) 451-0410 Fax (412) 781-7840	
TOLERANCES (UNLESS OTHERWISE SPECIFIED): FRACTIONAL: ±1/32 ANGULAR/BEND: ±1° TWO PLACE DECIMAL ±.030 THREE PLACE DECIMAL ±.020		DATE	03/19/2013
MATERIAL: SEE DATA SHEET		DO NOT SCALE DRAWING	
FINISH: SEE DATA SHEET		PROPRIETARY AND CONFIDENTIAL	
WEIGHT: 40 LBS		THE INFORMATION CONTAINED IN THIS DRAWING IS THE SOLE PROPERTY OF FORMS + SURFACES. ANY REPRODUCTION IN PART OR AS A WHOLE WITHOUT WRITTEN PERMISSION IS PROHIBITED.	
SOURCE: MDW		SIZE	DWG. NO.
SCALE: N.T.S.		B	SLTRD-16BLP-TD
		REV	SHEET
		0	1 OF 1

TRIAD RECEPTACLE (16 GALLON)
 SLTRD-16B
 SLTRD-16L
 SLTRD-16P

8 7 6 5 4 3 2 1