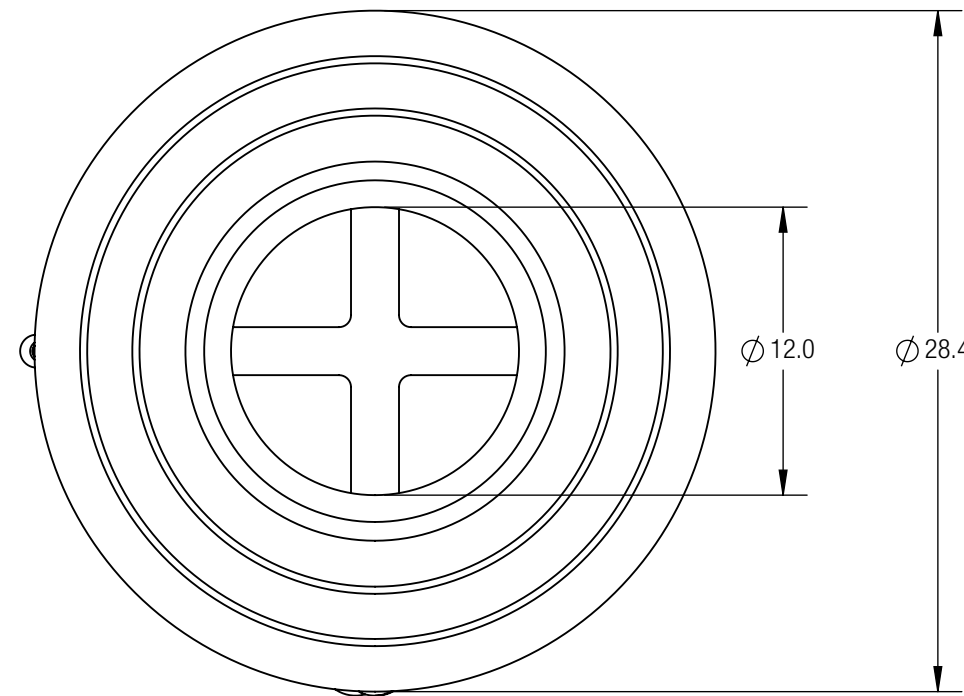
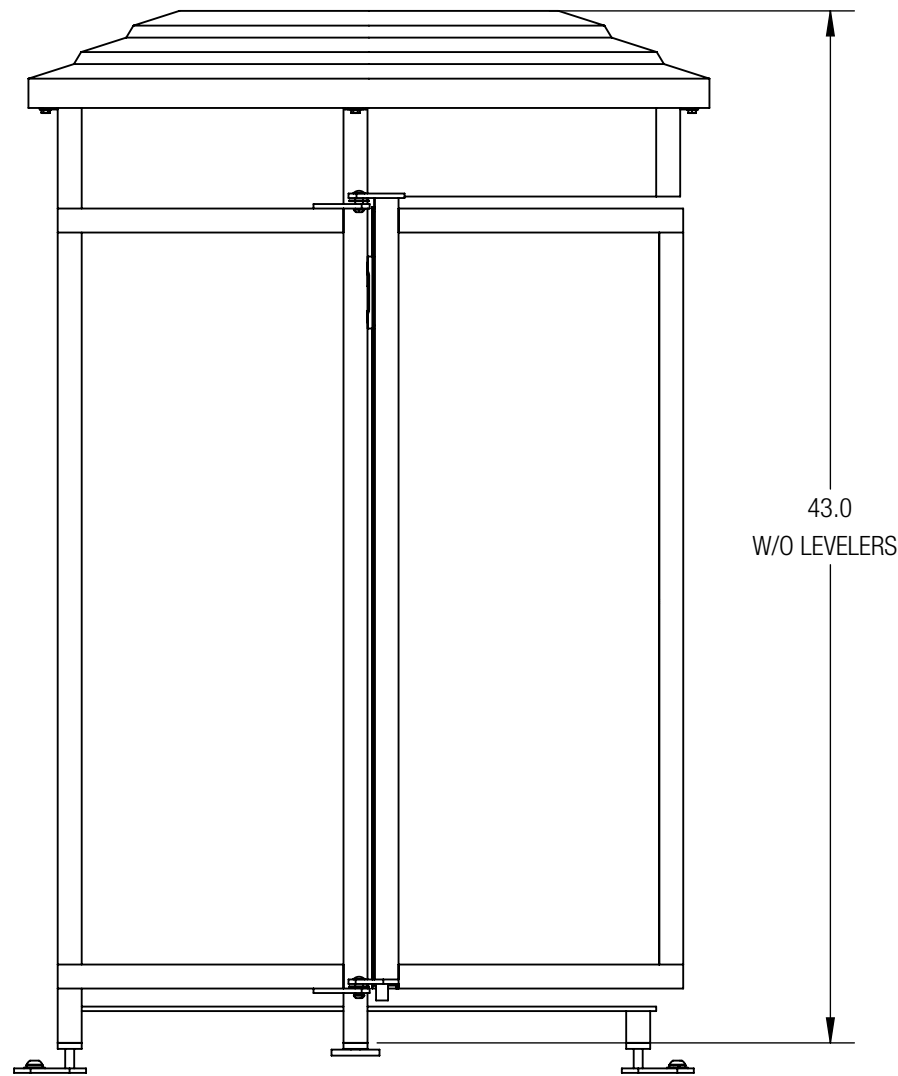


8 7 6 5 4 3 2 1

D

D



C

C

B

B

A

A

CUSTOMER APPROVAL:

X _____

DATE:

X _____

UNLESS OTHERWISE SPECIFIED,
DIMENSIONS ARE IN INCHES

TOLERANCES (UNLESS OTHERWISE SPECIFIED):
 FRACTIONAL: ±1/32
 ANGULAR/BEND: ±1°
 TWO PLACE DECIMAL ±.030
 THREE PLACE DECIMAL ±.020

MATERIAL: SEE DATA SHEET

FINISH: SEE DATA SHEET

WEIGHT: 115 LBS

SOURCE: M

SCALE: N.T.S.

FORMS+SURFACES® 30 Pine Street, Pittsburgh, PA 15223
 Tel (800) 451-0410 Fax (412) 781-7840

DATE
01/01/2011

**URBAN RENAISSANCE RECEPTACLE
 45 GALLON TOP OPENING
 SLURB-45TO**

DO NOT SCALE DRAWING

PROPRIETARY AND CONFIDENTIAL
 THE INFORMATION CONTAINED IN THIS
 DRAWING IS THE SOLE PROPERTY OF
 FORMS + SURFACES. ANY REPRODUCTION
 IN PART OR AS A WHOLE WITHOUT
 WRITTEN PERMISSION IS PROHIBITED.

SIZE	DWG. NO.	REV	SHEET
B	SLURB-45TO-TD	0	1 OF 1

8 7 6 5 4 3 2 1