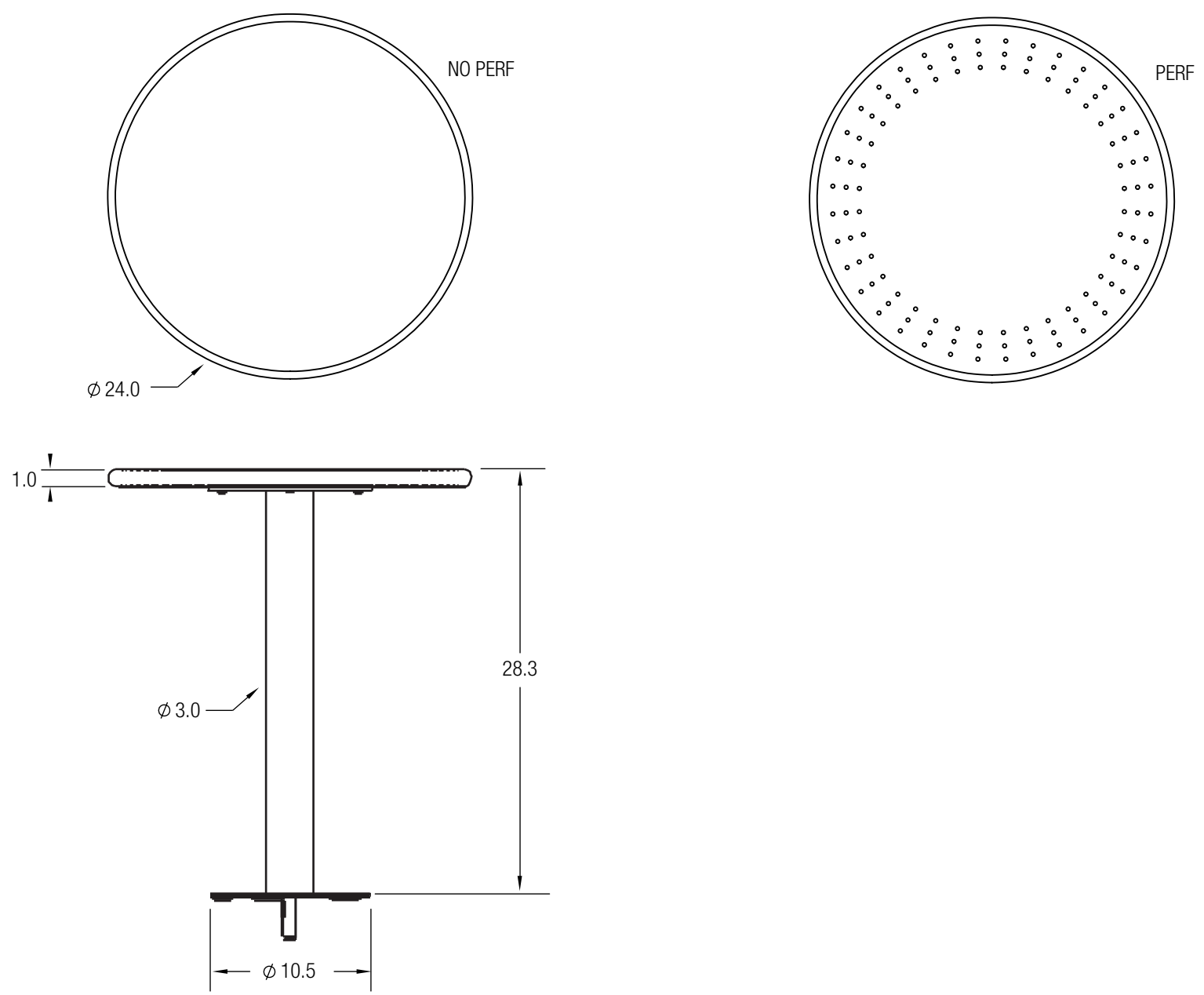


8 7 6 5 4 3 2 1

D  
C  
B  
A

D  
C  
B  
A



CUSTOMER APPROVAL:

X \_\_\_\_\_

DATE:

X \_\_\_\_\_

UNLESS OTHERWISE SPECIFIED, DIMENSIONS ARE IN INCHES		<b>FORMS+SURFACES</b> ® 30 Pine Street, Pittsburgh, PA 15223 Tel (412) 781-9003 Fax (412) 781-7840	
TOLERANCES (UNLESS OTHERWISE SPECIFIED): FRACTIONAL: $\pm 1/32$ ANGULAR/BEND: $\pm 1^\circ$ TWO PLACE DECIMAL $\pm .030$ THREE PLACE DECIMAL $\pm .020$		NAME	DATE
MATERIAL: SEE DATA SHEET		DWN	MGJ 05/16/2014
FINISH: SEE DATA SHEET		DO NOT SCALE DRAWING	
WEIGHT: 34.1 LBS		PROPRIETARY AND CONFIDENTIAL	
SOURCE: MDW		THE INFORMATION CONTAINED IN THIS DRAWING IS THE SOLE PROPERTY OF FORMS + SURFACES. ANY REPRODUCTION IN PART OR AS A WHOLE WITHOUT WRITTEN PERMISSION IS PROHIBITED.	
SCALE: N.T.S.		SIZE	DWG. NO.
		B	SPCOL-T24R10
		REV	SHEET
		0	1 OF 1

COLUMN TABLE, TABLE HEIGHT (STAINLESS STEEL TABLE TOP - 24" ROUND ONLY), 10.5" BASE SPCOL-T24R10

8 7 6 5 4 3 2 1

PRINTED: 05/02/2014