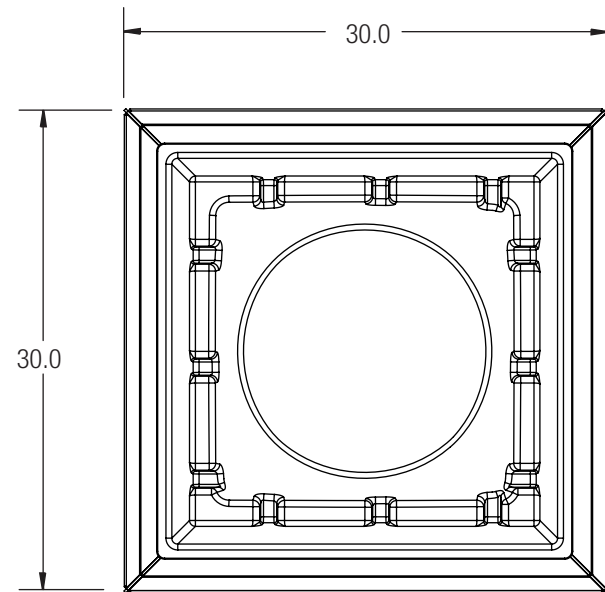


8 7 6 5 4 3 2 1

D  
C  
B  
A



TOP VIEW



SIDE VIEW

D  
C  
B  
A

CUSTOMER APPROVAL:

X \_\_\_\_\_

DATE:

X \_\_\_\_\_

SLIGHT VARIATIONS IN COLOR AND SURFACE TEXTURE CAN OCCUR DUE TO THE NATURE OF THE TENSL MANUFACTURING PROCESS.

UNLESS OTHERWISE SPECIFIED, DIMENSIONS ARE IN INCHES		<b>FORMS+SURFACES</b> ® 30 Pine Street, Pittsburgh, PA 15223 Tel (800) 451-0410 Fax (412) 781-7840	
TOLERANCES (UNLESS OTHERWISE SPECIFIED):		DATE	MITER PLANTER 18" HEIGHT, SINGLE SPMI-118
FRACTIONAL: ±1/32 ANGULAR/BEND: ±1°* TWO PLACE DECIMAL ±.030 THREE PLACE DECIMAL ±.020		09/09/2016	
MATERIAL: SEE DATA SHEET		DO NOT SCALE DRAWING	
FINISH: SEE DATA SHEET		PROPRIETARY AND CONFIDENTIAL	
WEIGHT: SEE DATA SHEET		THE INFORMATION CONTAINED IN THIS DRAWING IS THE SOLE PROPERTY OF FORMS + SURFACES. ANY REPRODUCTION IN PART OR AS A WHOLE WITHOUT WRITTEN PERMISSION IS PROHIBITED.	
SOURCE: M		SIZE	DWG. NO.
SCALE: N.T.S.		B	SPMI-118
		REV	SHEET
		0	1 OF 1

8 7 6 5 4 3 2 1