

8 7 6 5 4 3 2 1

D

D

C

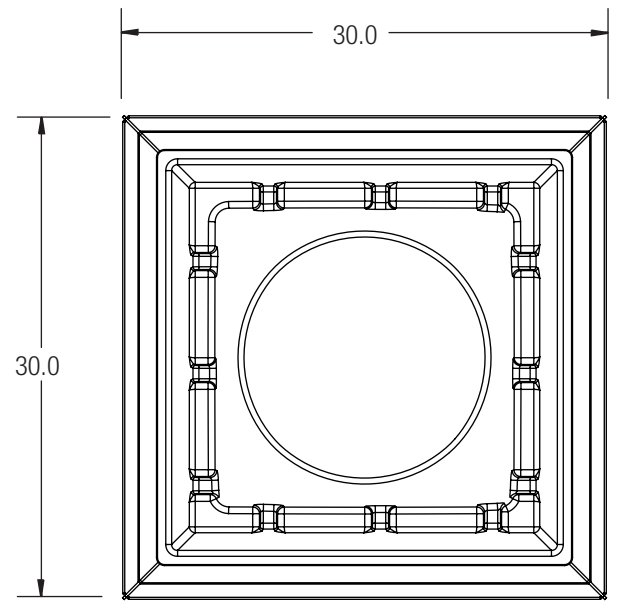
C

B

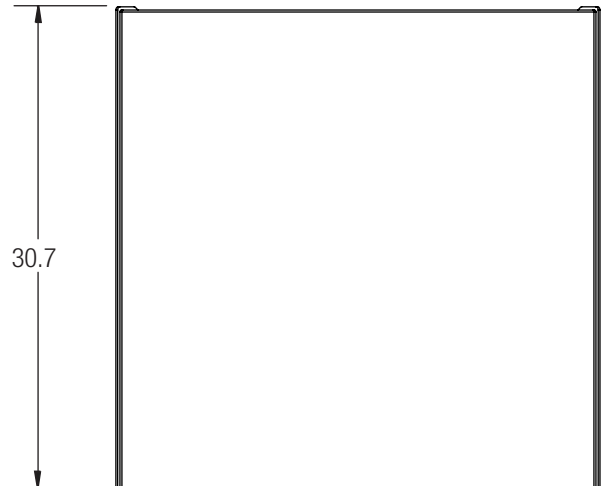
B

A

A



TOP VIEW



SIDE VIEW

CUSTOMER APPROVAL:

X \_\_\_\_\_

DATE:

X \_\_\_\_\_

SLIGHT VARIATIONS IN COLOR AND SURFACE TEXTURE CAN OCCUR DUE TO THE NATURE OF THE TENSL MANUFACTURING PROCESS.

UNLESS OTHERWISE SPECIFIED, DIMENSIONS ARE IN INCHES

TOLERANCES (UNLESS OTHERWISE SPECIFIED):  
 FRACTIONAL: ±1/32  
 ANGULAR/BEND: ±1°\*  
 TWO PLACE DECIMAL ±.030  
 THREE PLACE DECIMAL ±.020

MATERIAL: SEE DATA SHEET

FINISH: SEE DATA SHEET

WEIGHT: SEE DATA SHEET

SOURCE: M

SCALE: N.T.S.

**FORMS+SURFACES**® 30 Pine Street, Pittsburgh, PA 15223  
 Tel (800) 451-0410 Fax (412) 781-7840

DATE	09/09/2016
DO NOT SCALE DRAWING	
PROPRIETARY AND CONFIDENTIAL	
THE INFORMATION CONTAINED IN THIS DRAWING IS THE SOLE PROPERTY OF FORMS + SURFACES. ANY REPRODUCTION IN PART OR AS A WHOLE WITHOUT WRITTEN PERMISSION IS PROHIBITED.	

MITER PLANTER  
 30" HEIGHT, SINGLE  
 SPMI-130

SIZE	DWG. NO.	REV	SHEET
B	SPMI-130	0	1 OF 1

8 7 6 5 4 3 2 1