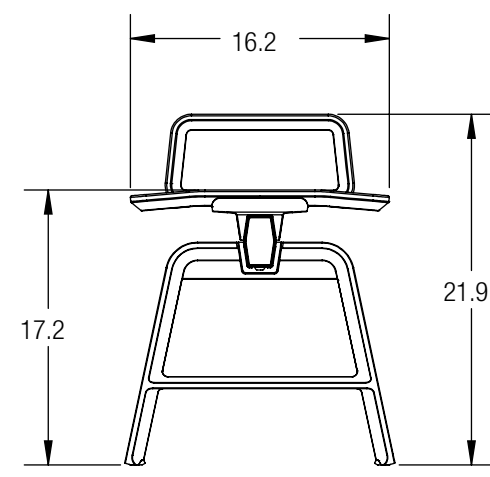
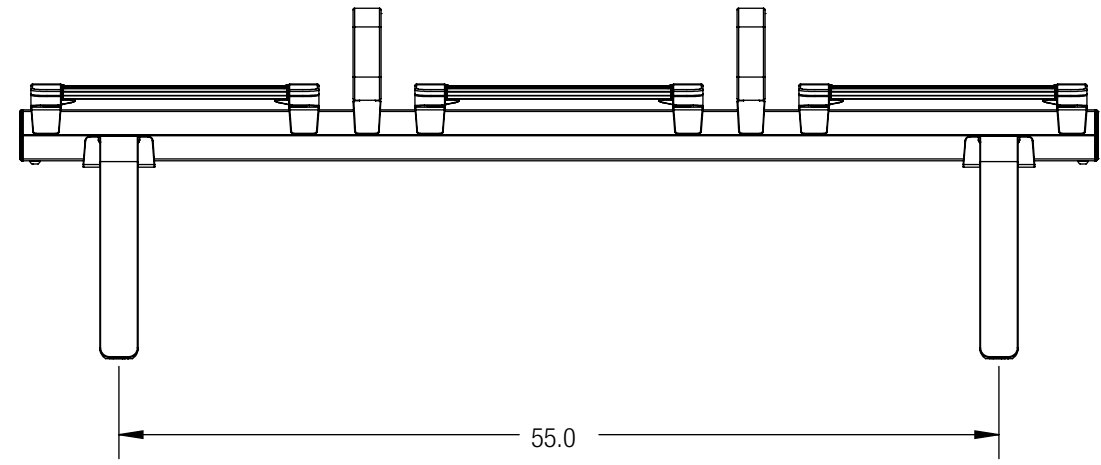
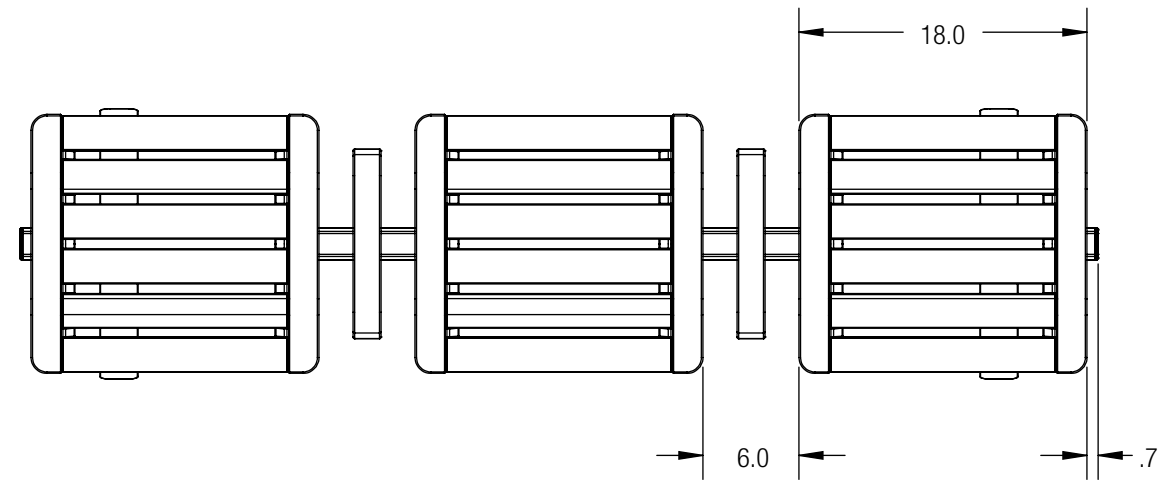


8 7 6 5 4 3 2 1

D  
C  
B  
A



UNLESS OTHERWISE SPECIFIED, DIMENSIONS ARE IN INCHES

**FORMS+SURFACES**® 30 Pine Street, Pittsburgh, PA 15223  
Tel (412) 781-9003 Fax (412) 781-7840

TOLERANCES (UNLESS OTHERWISE SPECIFIED):  
 FRACTIONAL: ±1/32  
 ANGULAR/BEND: ±1°  
 TWO PLACE DECIMAL ±.030  
 THREE PLACE DECIMAL ±.020

| NAME | DATE      |
|------|-----------|
| DWN  | 6/28/2013 |

TANGENT RAIL SEATING  
 3 BACKLESS SEATS, SLAT SEATS,  
 INTERMEDIATE ARMRESTS, FREESTANDING  
 SRTAN-3LW, SRTAN-3LA

MATERIAL: SEE DATA SHEET

FINISH: SEE DATA SHEET

WEIGHT:

SOURCE: -

SCALE: N.T.S.

DO NOT SCALE DRAWING

PROPRIETARY AND CONFIDENTIAL

THE INFORMATION CONTAINED IN THIS DRAWING IS THE SOLE PROPERTY OF FORMS + SURFACES. ANY REPRODUCTION IN PART OR AS A WHOLE WITHOUT WRITTEN PERMISSION IS PROHIBITED.

| SIZE | DWG. NO.         | REV | SHEET  |
|------|------------------|-----|--------|
| B    | SRTAN-3L-SLAT-FS | 0   | 1 OF 1 |

8 7 6 5 4 3 2 1

D  
C  
B  
A

PRINTED: 6/26/2012