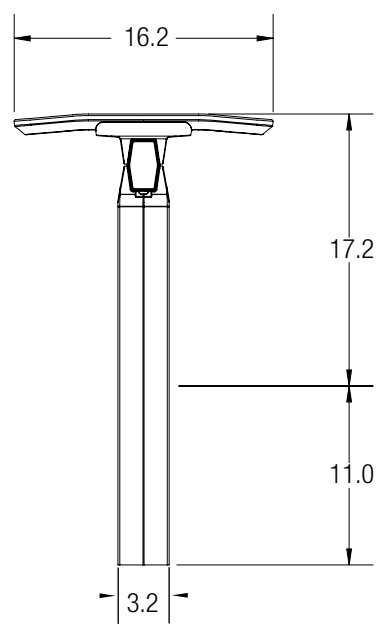
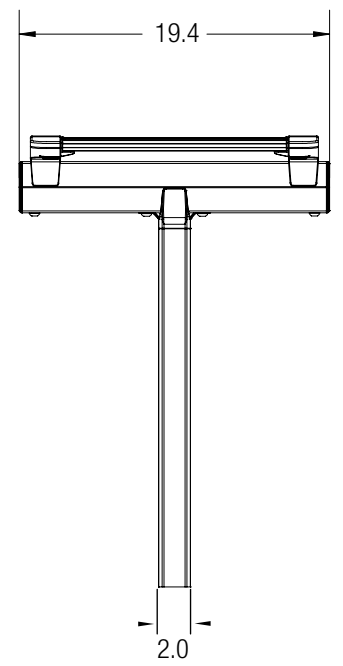
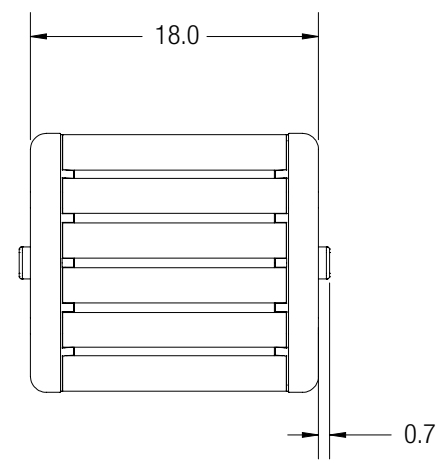


8 7 6 5 4 3 2 1

D
C
B
A

D
C
B
A



CUSTOMER APPROVAL:

X _____

DATE:

X _____

UNLESS OTHERWISE SPECIFIED,
DIMENSIONS ARE IN INCHES
TOLERANCES (UNLESS OTHERWISE
SPECIFIED):
FRACTIONAL: ±1/32
ANGULAR/BEND: ±1°
TWO PLACE DECIMAL ±.030
THREE PLACE DECIMAL ±.020
FINISH: SEE DATA SHEET
WEIGHT: 39 LBS
SOURCE: -
SCALE: N.T.S.

FORMS+SURFACES® 30 Pine Street, Pittsburgh, PA 15223
Tel (412) 781-9003 Fax (412) 781-7840

NAME		DATE	
DWN	MDW	06/28/2013	
MATERIAL: SEE DATA SHEET			
DO NOT SCALE DRAWING			
PROPRIETARY AND CONFIDENTIAL			
THE INFORMATION CONTAINED IN THIS DRAWING IS THE SOLE PROPERTY OF FORMS + SURFACES. ANY REPRODUCTION IN PART OR AS A WHOLE WITHOUT WRITTEN PERMISSION IS PROHIBITED.			

TANGENT RAIL SEATING,
1 BACKLESS SEAT, SLAT SEAT,
CAST-IN-PLACE
SRTAN-1LBA, SRTAN-1LW

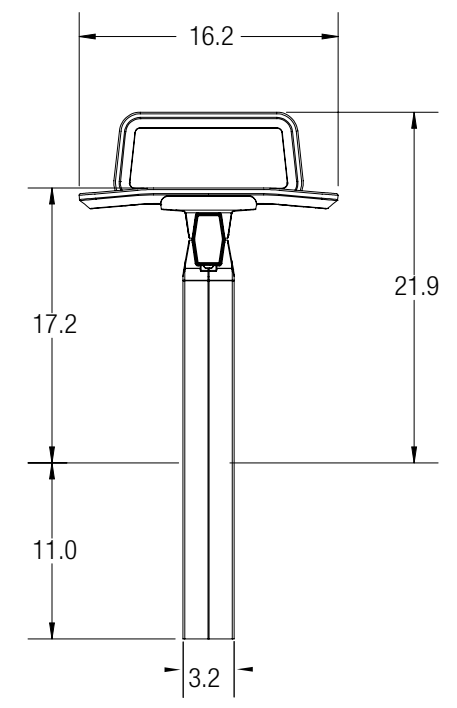
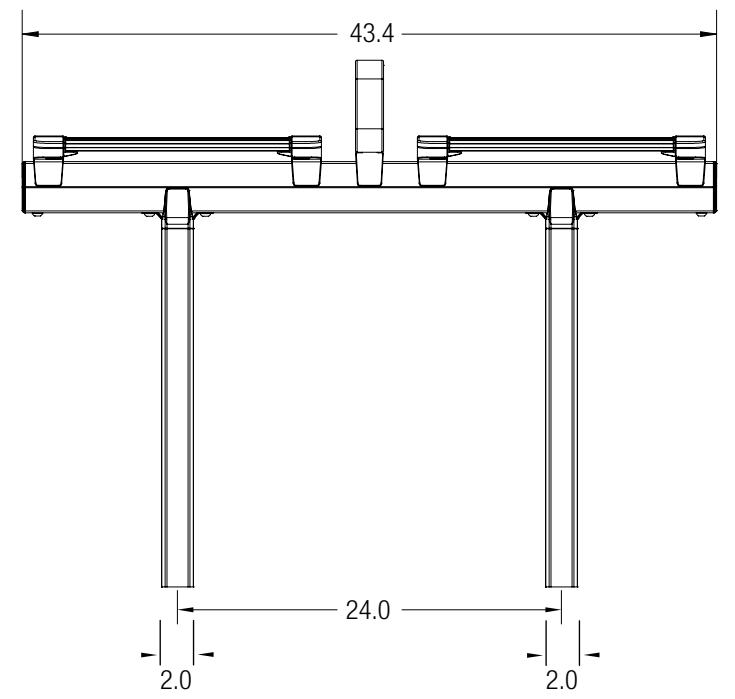
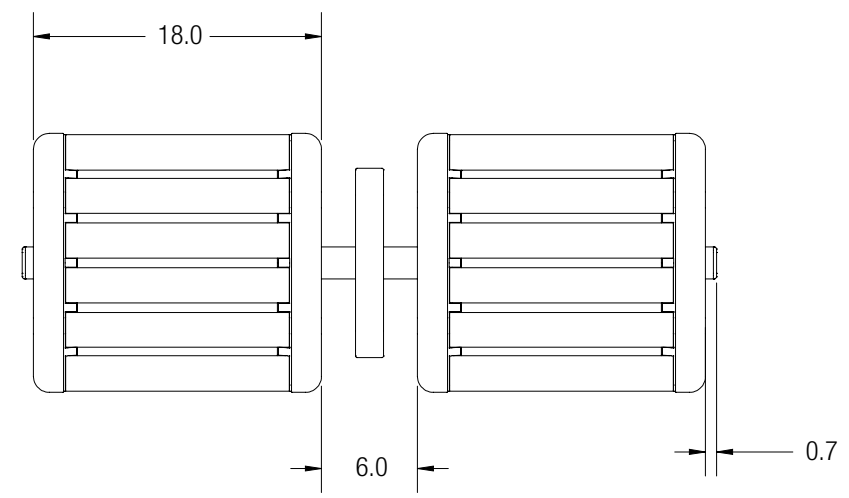
SIZE	DWG. NO.	REV	SHEET
B	SRTAN-1L-SLAT-CIP	0	1 OF 1

8 7 6 5 4 3 2 1

PRINTED: 4/16/2012

8 7 6 5 4 3 2 1

D
C
B
A



CUSTOMER APPROVAL:

X _____

DATE:

X _____

UNLESS OTHERWISE SPECIFIED,
DIMENSIONS ARE IN INCHES

TOLERANCES (UNLESS OTHERWISE SPECIFIED):
FRACTIONAL: ±1/32
ANGULAR/BEND: ±1°
TWO PLACE DECIMAL ±.030
THREE PLACE DECIMAL ±.020

FINISH: SEE DATA SHEET

WEIGHT: 61 LBS

SOURCE: -

SCALE: N.T.S.

FORMS+SURFACES® 30 Pine Street, Pittsburgh, PA 15223
Tel (412) 781-9003 Fax (412) 781-7840

NAME	DATE
DWN MDW	06/28/2013

DO NOT SCALE DRAWING

PROPRIETARY AND CONFIDENTIAL

THE INFORMATION CONTAINED IN THIS DRAWING IS THE SOLE PROPERTY OF FORMS + SURFACES. ANY REPRODUCTION IN PART OR AS A WHOLE WITHOUT WRITTEN PERMISSION IS PROHIBITED.

TANGENT RAIL SEATING,
2 BACKLESS SEATS, SLAT SEATS,
CAST-IN-PLACE
SRTAN-2LBA, STRAN-2LBW

SIZE	DWG. NO.	REV	SHEET
B	SRTAN-2L-SLAT-CIP	0	1 OF 1

8 7 6 5 4 3 2 1

D
C
B
A

PRINTED: 04/14/2012

8 7 6 5 4 3 2 1

D

C

B

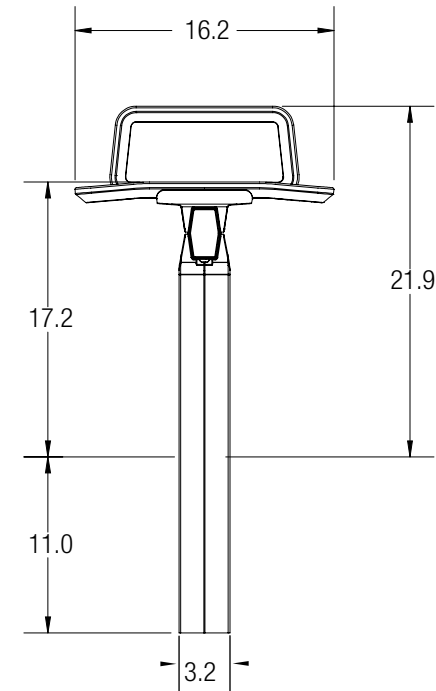
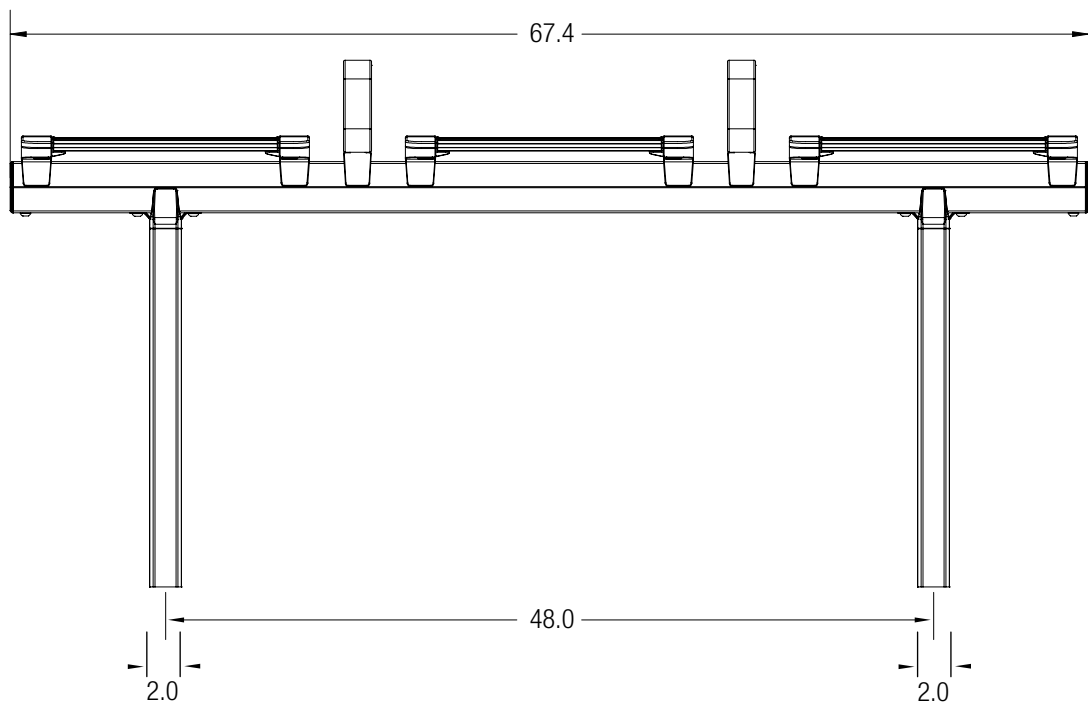
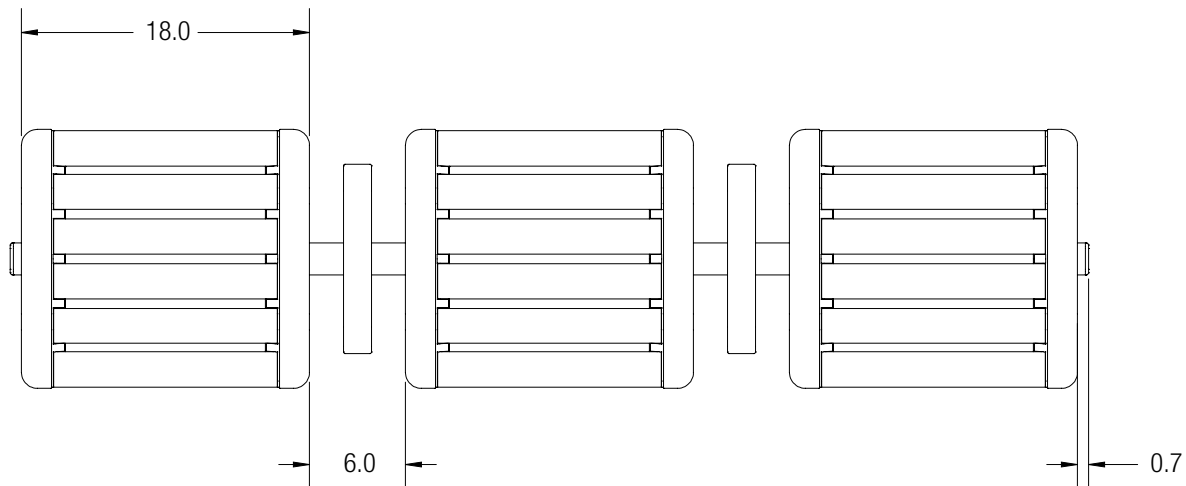
A

D

C

B

A



CUSTOMER APPROVAL:

X _____

DATE:

X _____

UNLESS OTHERWISE SPECIFIED, DIMENSIONS ARE IN INCHES		FORMS+SURFACES ® 30 Pine Street, Pittsburgh, PA 15223 Tel (412) 781-9003 Fax (412) 781-7840	
TOLERANCES (UNLESS OTHERWISE SPECIFIED): FRACTIONAL: ±1/32 ANGULAR/BEND: ±1° TWO PLACE DECIMAL ±.030 THREE PLACE DECIMAL ±.020		NAME	DATE
MATERIAL: SEE DATA SHEET		DWN	MDW 06/28/2013
FINISH: SEE DATA SHEET		DO NOT SCALE DRAWING	
WEIGHT: 84 LBS		PROPRIETARY AND CONFIDENTIAL	
SOURCE: -		THE INFORMATION CONTAINED IN THIS DRAWING IS THE SOLE PROPERTY OF FORMS + SURFACES. ANY REPRODUCTION IN PART OR AS A WHOLE WITHOUT WRITTEN PERMISSION IS PROHIBITED.	
SCALE: N.T.S.		SIZE	DWG. NO.
		B	SRTAN-3L-SLAT-CIP
		REV	0
		SHEET	1 OF 1

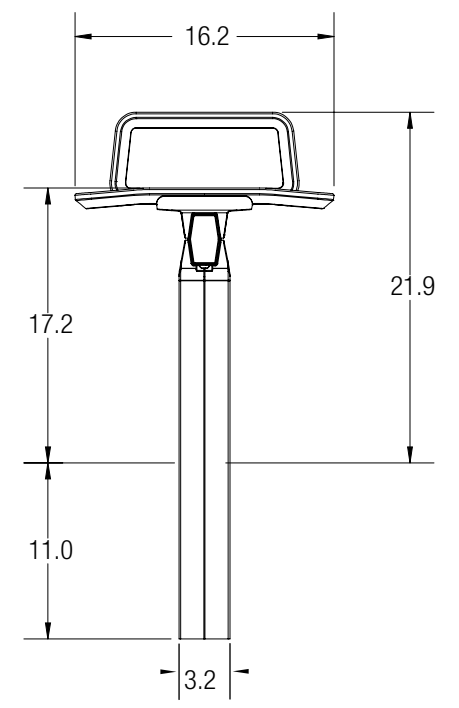
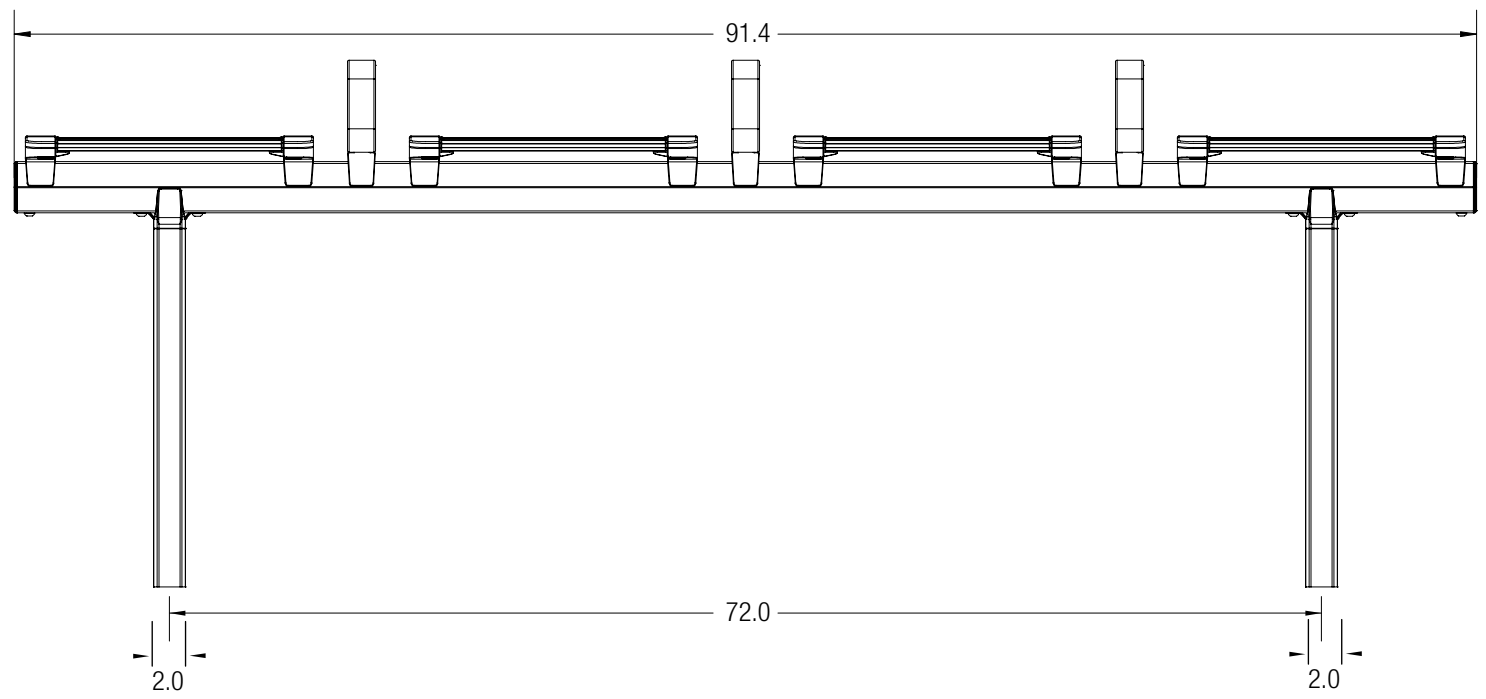
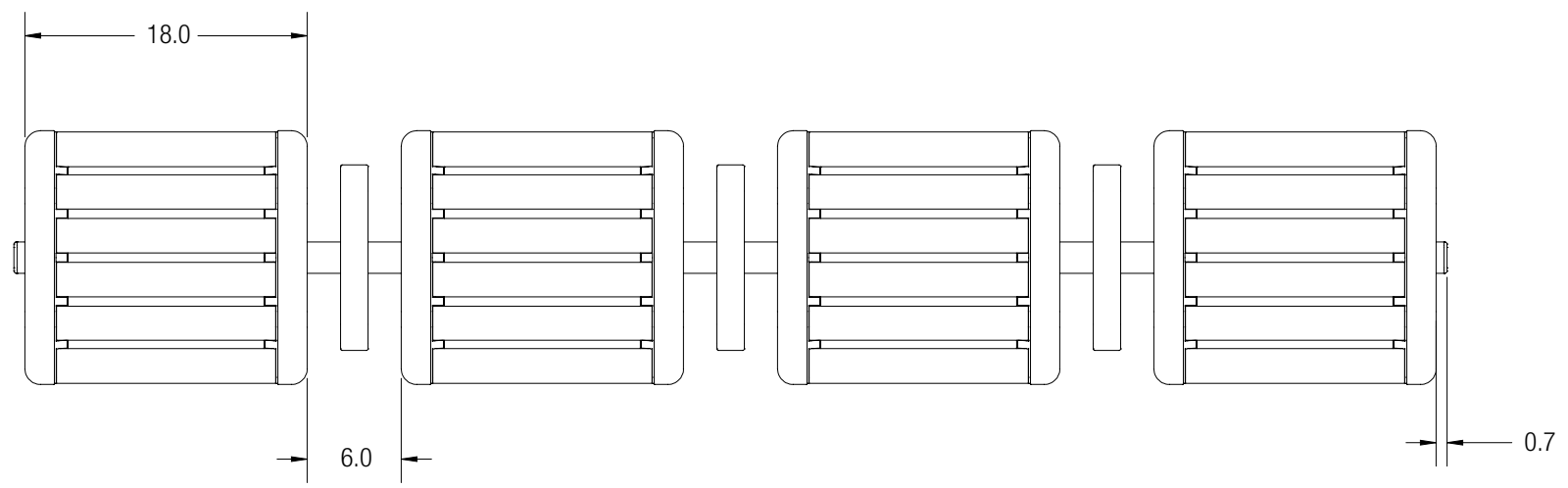
8 7 6 5 4 3 2 1

PRINTED: 04/14/2012

8 7 6 5 4 3 2 1

D
C
B
A

D
C
B
A



CUSTOMER APPROVAL:

X _____

DATE:

X _____

UNLESS OTHERWISE SPECIFIED, DIMENSIONS ARE IN INCHES

TOLERANCES (UNLESS OTHERWISE SPECIFIED):
 FRACTIONAL: ±1/32
 ANGULAR/BEND: ±1°
 TWO PLACE DECIMAL ±.030
 THREE PLACE DECIMAL ±.020

MATERIAL: SEE DATA SHEET

FINISH: SEE DATA SHEET

WEIGHT: 107 LBS

SOURCE: -

SCALE: N.T.S.

FORMS+SURFACES® 30 Pine Street, Pittsburgh, PA 15223
 Tel (412) 781-9003 Fax (412) 781-7840

NAME	DATE
DWN MDW	06/28/2013

DO NOT SCALE DRAWING

PROPRIETARY AND CONFIDENTIAL
 THE INFORMATION CONTAINED IN THIS DRAWING IS THE SOLE PROPERTY OF FORMS + SURFACES. ANY REPRODUCTION IN PART OR AS A WHOLE WITHOUT WRITTEN PERMISSION IS PROHIBITED.

SIZE	DWG. NO.	REV	SHEET
B	SRTAN-4L-SLAT-CIP	0	1 OF 1

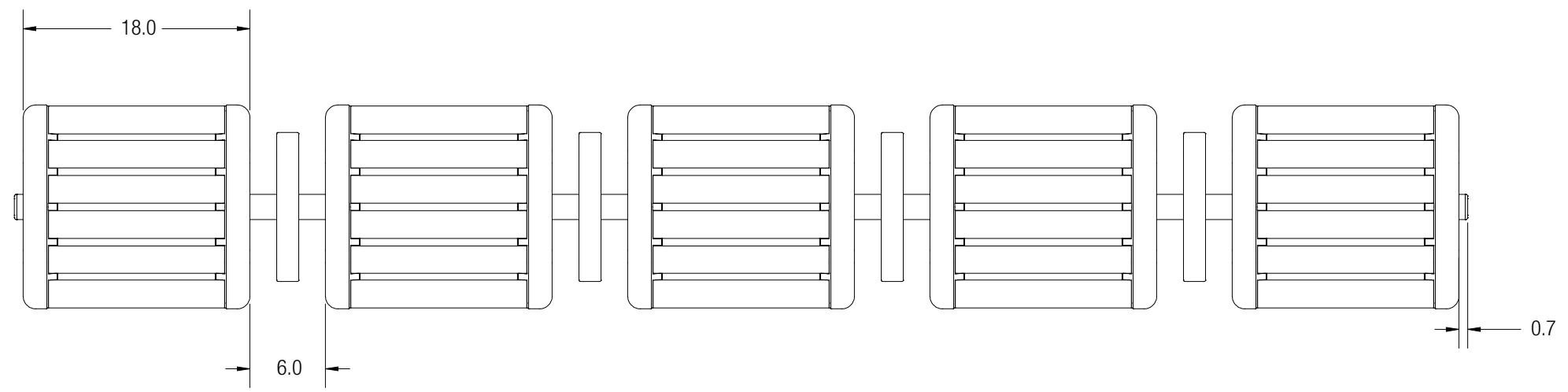
TANGENT RAIL SEATING,
 4 BACKLESS SEATS, SLAT SEATS,
 CAST-IN-PLACE
 SRTAN-4LBA, SRTAN-4LBW

8 7 6 5 4 3 2 1

PRINTED: 04/14/2012

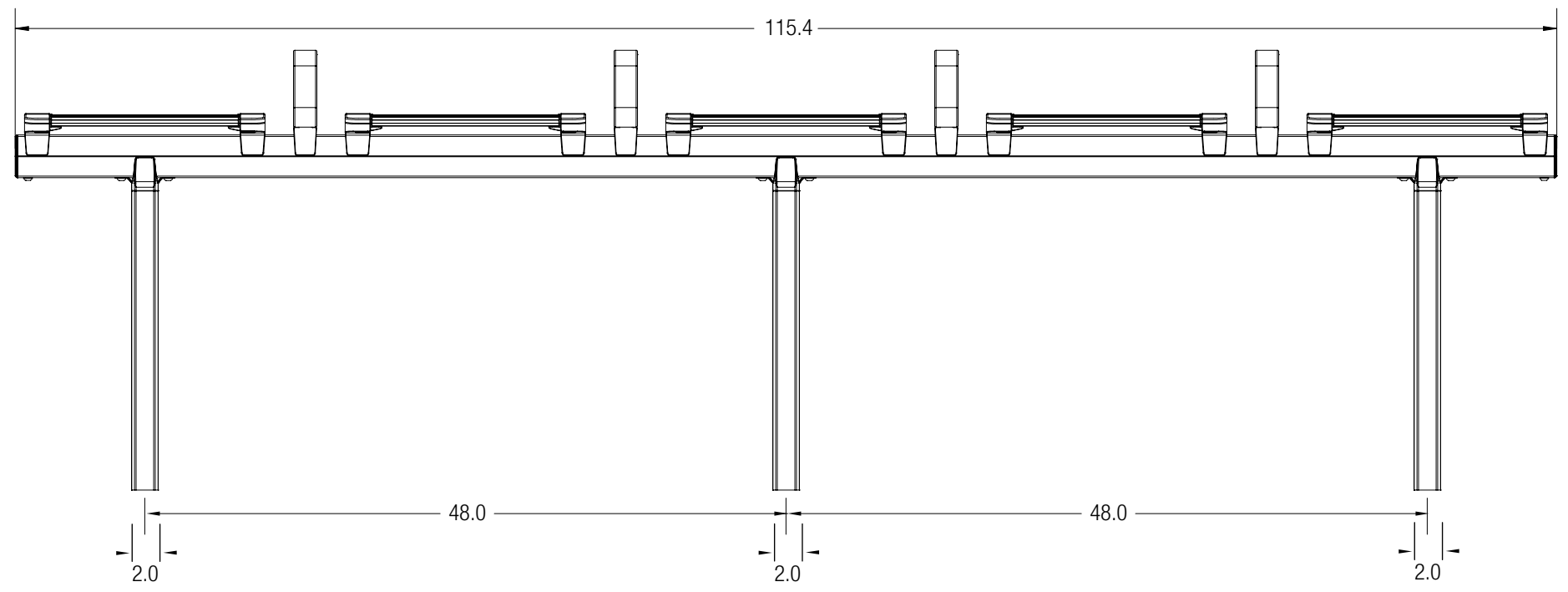
8 7 6 5 4 3 2 1

D



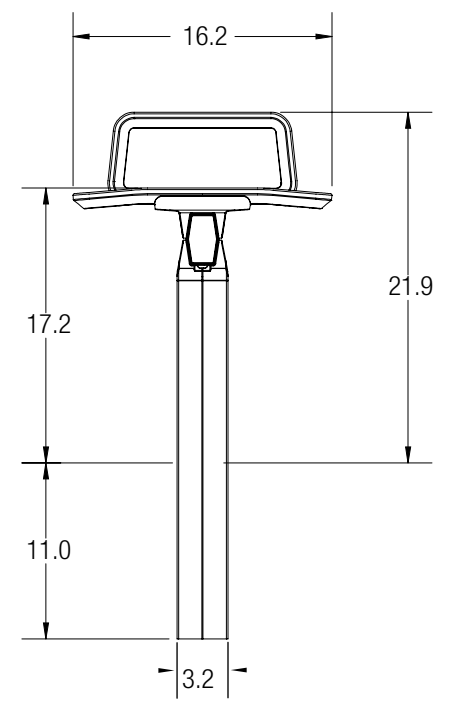
D

C



C

B



B

A

CUSTOMER APPROVAL:

X _____

DATE:

X _____

UNLESS OTHERWISE SPECIFIED,
DIMENSIONS ARE IN INCHES
TOLERANCES (UNLESS OTHERWISE
SPECIFIED):
FRACTIONAL: ±1/32
ANGULAR/BEND: ±1°
TWO PLACE DECIMAL ±.030
THREE PLACE DECIMAL ±.020
FINISH: SEE DATA SHEET
WEIGHT: 140 LBS
SOURCE: -
SCALE: N.T.S.

FORMS+SURFACES® 30 Pine Street, Pittsburgh, PA 15223
Tel (412) 781-9003 Fax (412) 781-7840

NAME	DATE
DWN MDW	06/28/2013

DO NOT SCALE DRAWING

PROPRIETARY AND CONFIDENTIAL
THE INFORMATION CONTAINED IN THIS
DRAWING IS THE SOLE PROPERTY OF
FORMS + SURFACES. ANY REPRODUCTION
IN PART OR AS A WHOLE WITHOUT
WRITTEN PERMISSION IS PROHIBITED.

TANGENT RAIL SEATING,
5 BACKLESS SEATS, SLAT SEATS,
CAST-IN-PLACE
SRTAN-5LBA, SRTAN-5LBW

SIZE	DWG. NO.	REV	SHEET
B	SRTAN-5L-SLAT-CIP	0	1 OF 1

8 7 6 5 4 3 2 1

A

PRINTED: 04/14/2012