

8 7 6 5 4 3 2 1

D

C

B

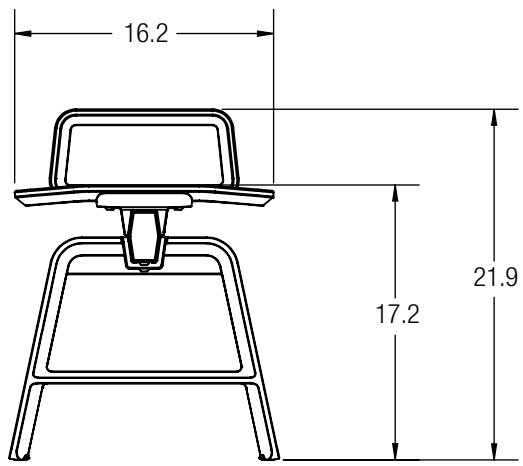
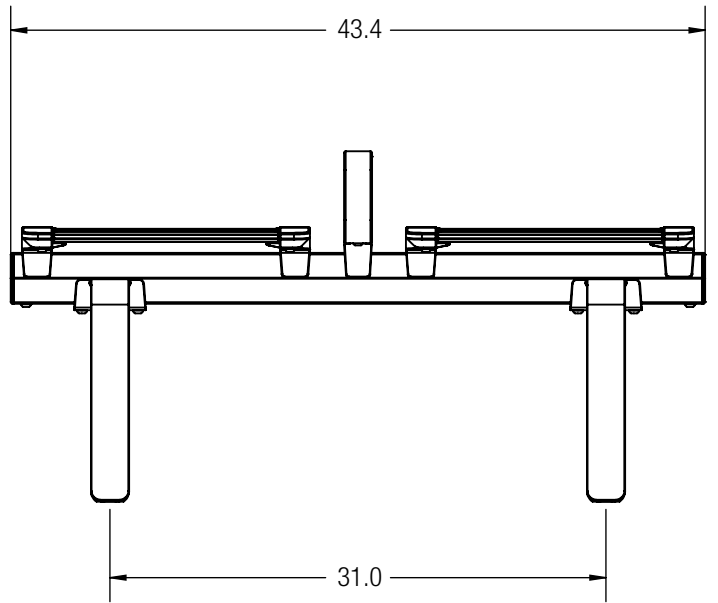
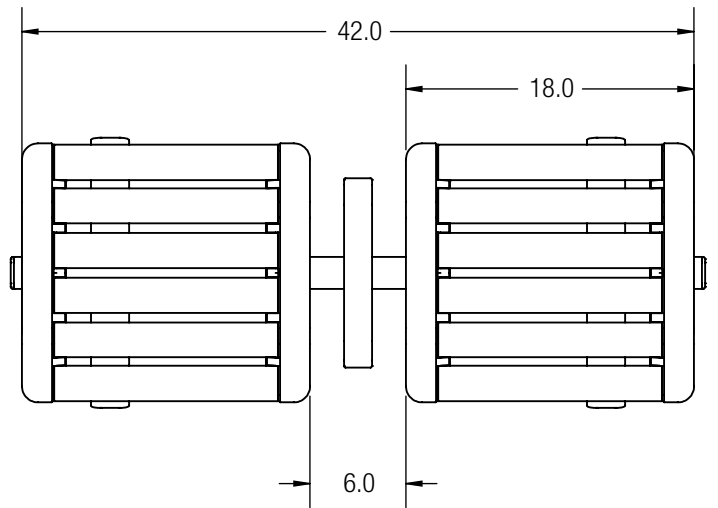
A

D

C

B

A



CUSTOMER APPROVAL:

X _____

DATE:

X _____

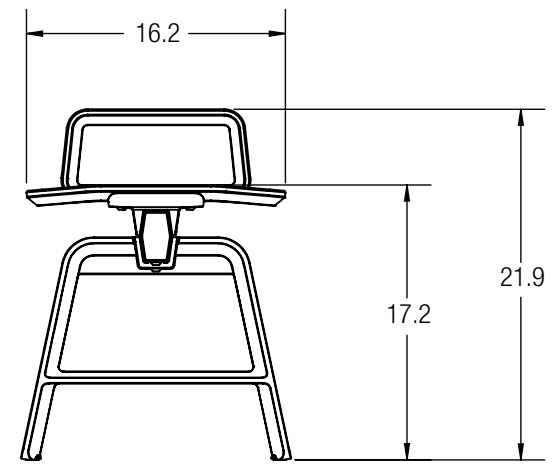
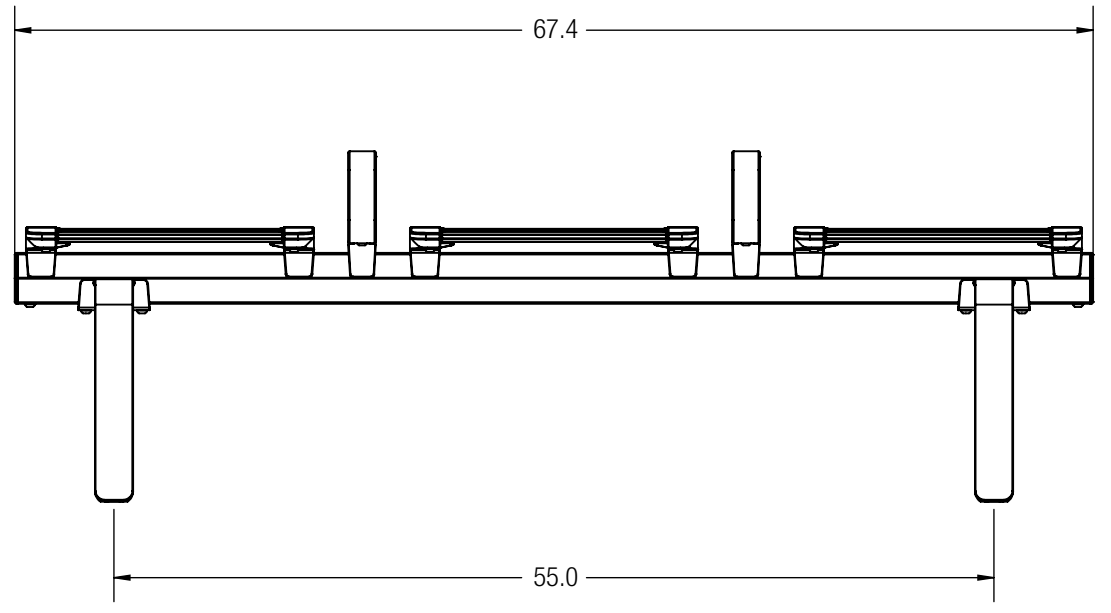
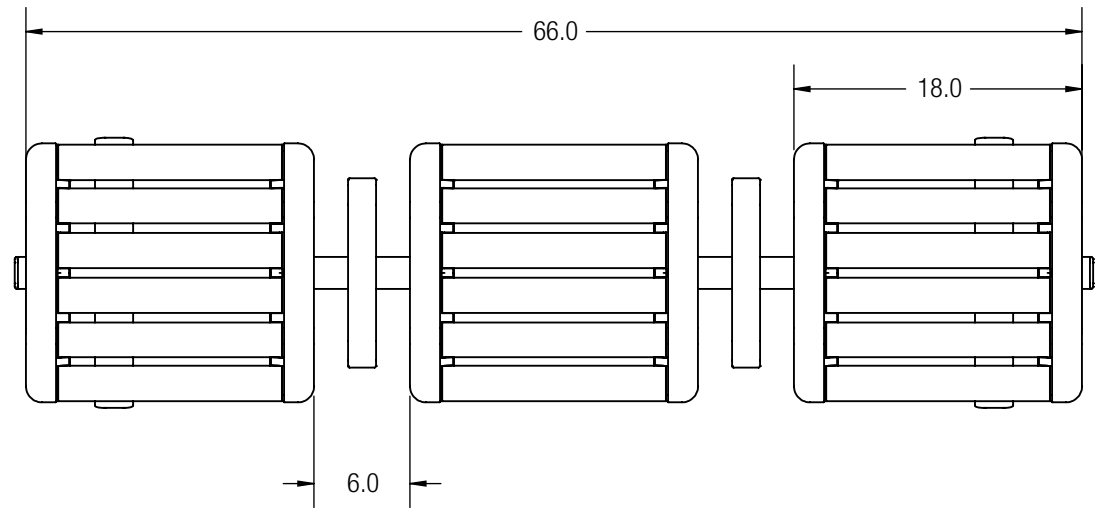
UNLESS OTHERWISE SPECIFIED, DIMENSIONS ARE IN INCHES		FORMS+SURFACES ® 30 Pine Street, Pittsburgh, PA 15223 Tel (412) 781-9003 Fax (412) 781-7840	
TOLERANCES (UNLESS OTHERWISE SPECIFIED):		NAME	DATE
FRACTIONAL: ±1/32		DWN	MDW 6/28/2013
ANGULAR/BEND: ±1°*		TANGENT RAIL SEATING	
TWO PLACE DECIMAL ±.030		2 BACKLESS SEATS, SLAT SEATS	
THREE PLACE DECIMAL ±.020		INTERMEDIATE ARMRESTS, FREESTANDING	
MATERIAL: SEE DATA SHEET		SRTAN-2LW, SRTAN-2LA	
FINISH: SEE DATA SHEET		DO NOT SCALE DRAWING	
WEIGHT: 61 LBS		PROPRIETARY AND CONFIDENTIAL	
SOURCE: -		THE INFORMATION CONTAINED IN THIS DRAWING IS THE SOLE PROPERTY OF FORMS + SURFACES. ANY REPRODUCTION IN PART OR AS A WHOLE WITHOUT WRITTEN PERMISSION IS PROHIBITED.	
SCALE: N.T.S.		SIZE	DWG. NO.
		B	SRTAN-2L-SLAT-FS
		REV	SHEET
		0	1 OF 1

8 7 6 5 4 3 2 1

PRINTED: 7/1/2013

8 7 6 5 4 3 2 1

D
C
B
A



CUSTOMER APPROVAL:

X _____

DATE:

X _____

UNLESS OTHERWISE SPECIFIED, DIMENSIONS ARE IN INCHES		FORMS+SURFACES ® 30 Pine Street, Pittsburgh, PA 15223 Tel (412) 781-9003 Fax (412) 781-7840	
TOLERANCES (UNLESS OTHERWISE SPECIFIED): FRACTIONAL: ±1/32 ANGULAR/BEND: ±1° TWO PLACE DECIMAL ±.030 THREE PLACE DECIMAL ±.020		NAME	DATE
MATERIAL: SEE DATA SHEET		DWN	MDW 6/28/2013
FINISH: SEE DATA SHEET		DO NOT SCALE DRAWING	
WEIGHT: 84 LBS		PROPRIETARY AND CONFIDENTIAL	
SOURCE: -		THE INFORMATION CONTAINED IN THIS DRAWING IS THE SOLE PROPERTY OF FORMS + SURFACES. ANY REPRODUCTION IN PART OR AS A WHOLE WITHOUT WRITTEN PERMISSION IS PROHIBITED.	
SCALE: N.T.S.		SIZE	DWG. NO.
		B	SRTAN-3L-SLAT-FS
		REV	SHEET
		0	1 OF 1

8 7 6 5 4 3 2 1

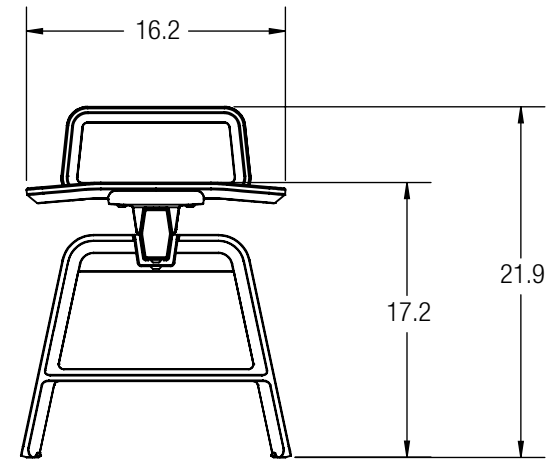
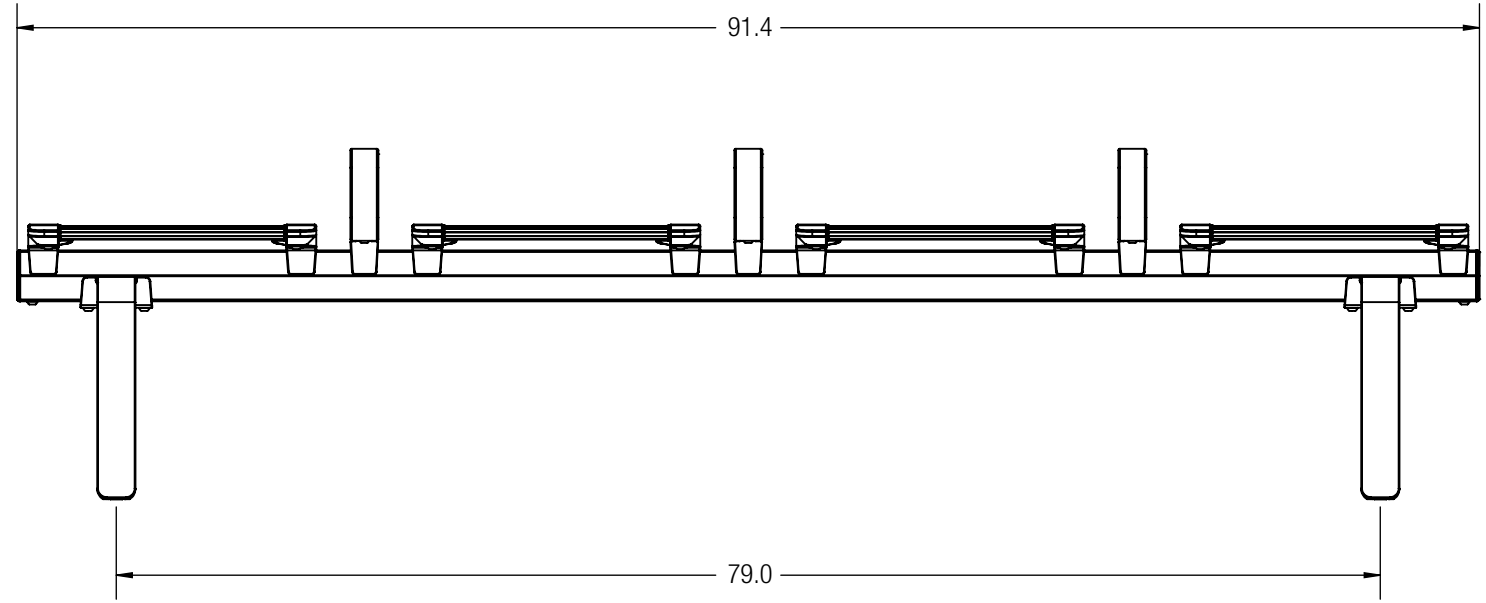
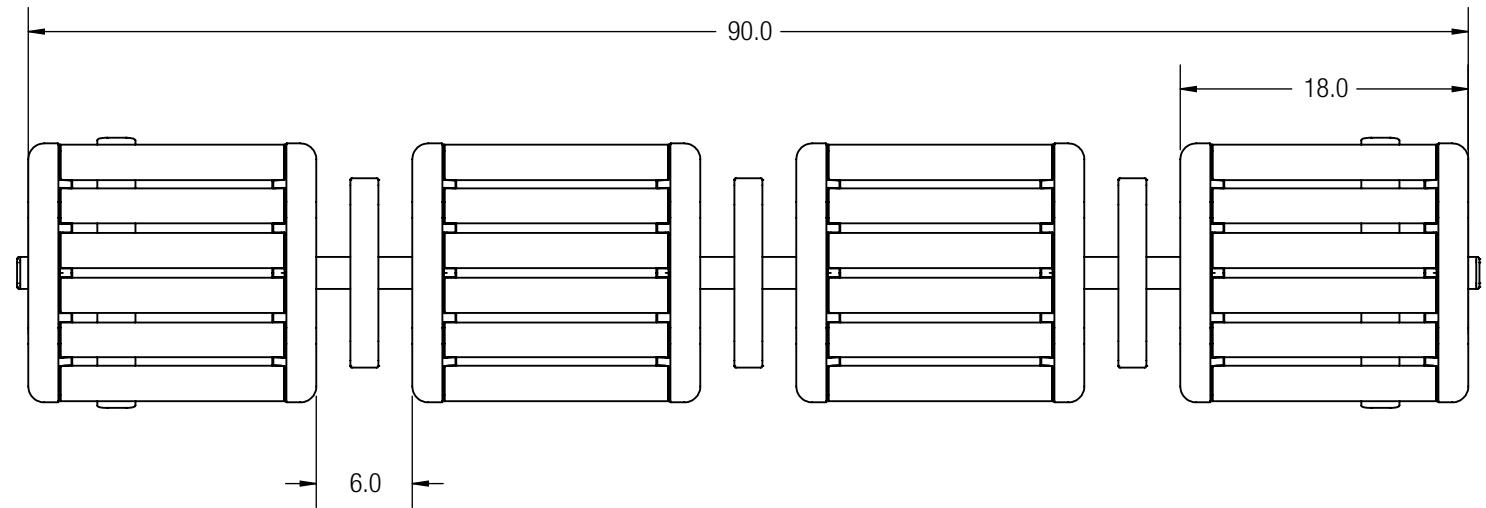
D
C
B
A

PRINTED: 7/1/2013

8 7 6 5 4 3 2 1

D
C
B
A

D
C
B
A



CUSTOMER APPROVAL:

X _____

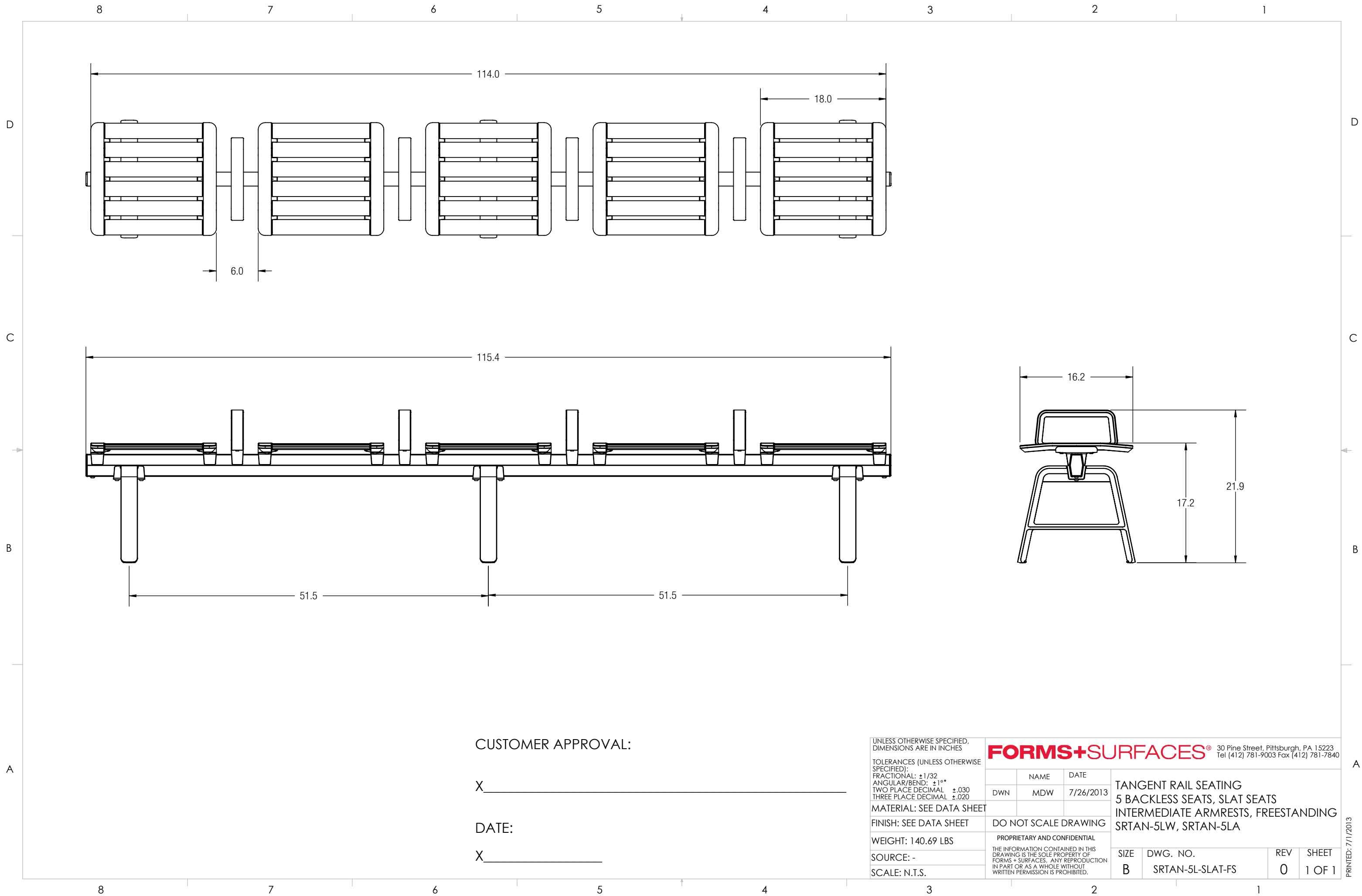
DATE:

X _____

UNLESS OTHERWISE SPECIFIED, DIMENSIONS ARE IN INCHES		FORMS+SURFACES ® 30 Pine Street, Pittsburgh, PA 15223 Tel (412) 781-9003 Fax (412) 781-7840	
TOLERANCES (UNLESS OTHERWISE SPECIFIED):		NAME	DATE
FRACTIONAL: ±1/32		DWN	MDW 6/28/2013
ANGULAR/BEND: ±1°		TANGENT RAIL SEATING	
TWO PLACE DECIMAL ±.030		4 BACKLESS SEATS, SLAT SEATS	
THREE PLACE DECIMAL ±.020		INTERMEDIATE ARMRESTS, FREESTANDING	
MATERIAL: SEE DATA SHEET		SRTAN-4LW, SRTAN-4LA	
FINISH: SEE DATA SHEET		DO NOT SCALE DRAWING	
WEIGHT: 107 LBS		PROPRIETARY AND CONFIDENTIAL	
SOURCE: -		THE INFORMATION CONTAINED IN THIS DRAWING IS THE SOLE PROPERTY OF FORMS + SURFACES. ANY REPRODUCTION IN PART OR AS A WHOLE WITHOUT WRITTEN PERMISSION IS PROHIBITED.	
SCALE: N.T.S.		SIZE	DWG. NO.
		B	SRTAN-4L-SLAT-FS
		REV	SHEET
		0	1 OF 1

8 7 6 5 4 3 2 1

PRINTED: 7/1/2013



CUSTOMER APPROVAL:

X _____

DATE:

X _____

UNLESS OTHERWISE SPECIFIED,
DIMENSIONS ARE IN INCHES

TOLERANCES (UNLESS OTHERWISE SPECIFIED):
FRACTIONAL: $\pm 1/32$
ANGULAR/BEND: $\pm 1^\circ$
TWO PLACE DECIMAL $\pm .030$
THREE PLACE DECIMAL $\pm .020$

MATERIAL: SEE DATA SHEET

FINISH: SEE DATA SHEET

WEIGHT: 140.69 LBS

SOURCE: -

SCALE: N.T.S.

FORMS+SURFACES® 30 Pine Street, Pittsburgh, PA 15223
Tel (412) 781-9003 Fax (412) 781-7840

NAME	DATE
DWN	MDW 7/26/2013

TANGENT RAIL SEATING
5 BACKLESS SEATS, SLAT SEATS
INTERMEDIATE ARMRESTS, FREESTANDING
SRTAN-5LW, SRTAN-5LA

PROPRIETARY AND CONFIDENTIAL
THE INFORMATION CONTAINED IN THIS
DRAWING IS THE SOLE PROPERTY OF
FORMS + SURFACES. ANY REPRODUCTION
IN PART OR AS A WHOLE WITHOUT
WRITTEN PERMISSION IS PROHIBITED.

SIZE	DWG. NO.	REV	SHEET
B	SRTAN-5L-SLAT-FS	0	1 OF 1

PRINTED: 7/1/2013