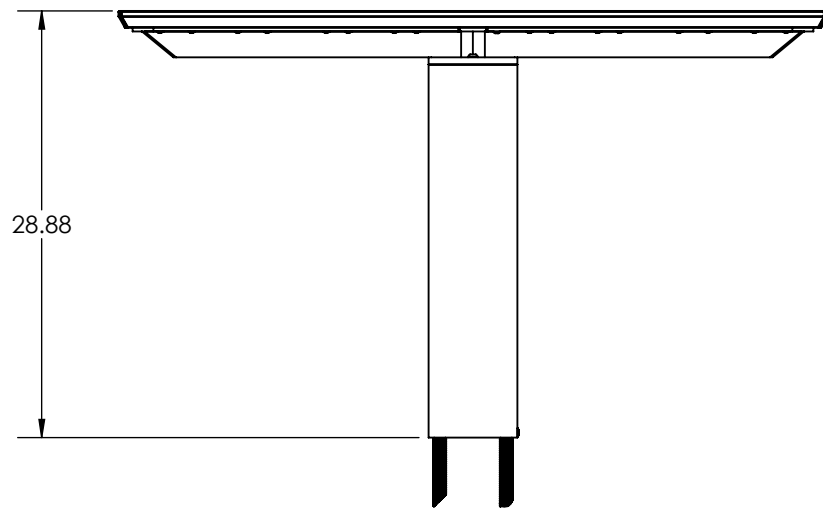
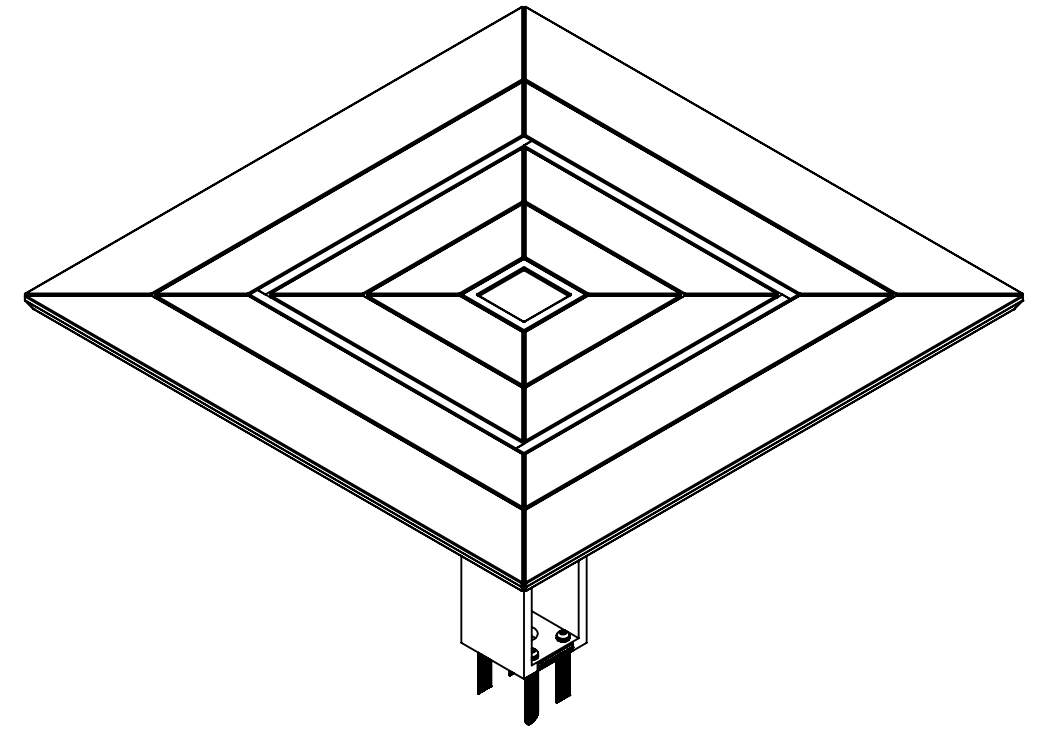


TOP VIEW



FRONT VIEW



ISO VIEW

CUSTOMER APPROVAL:

X _____

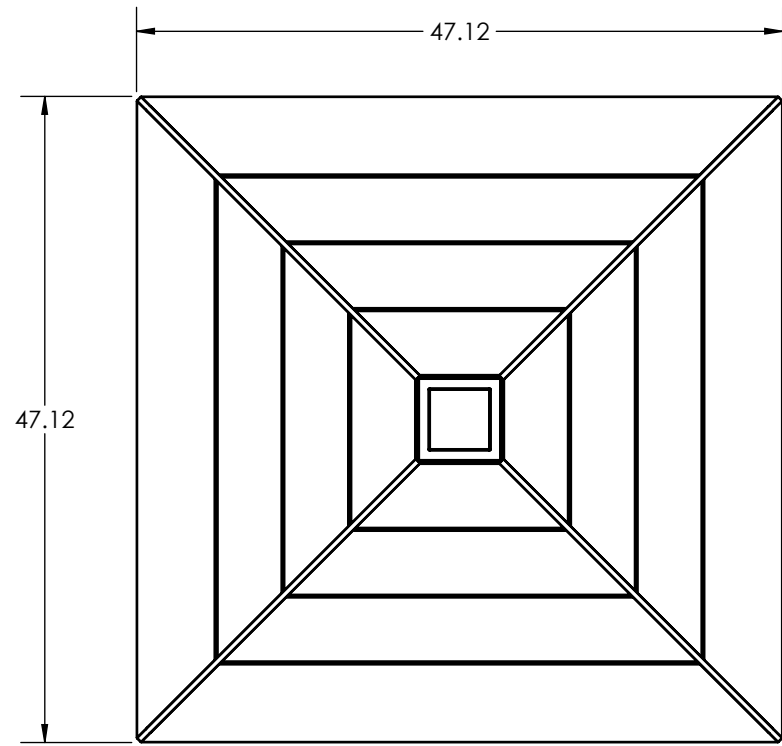
DATE:

X _____

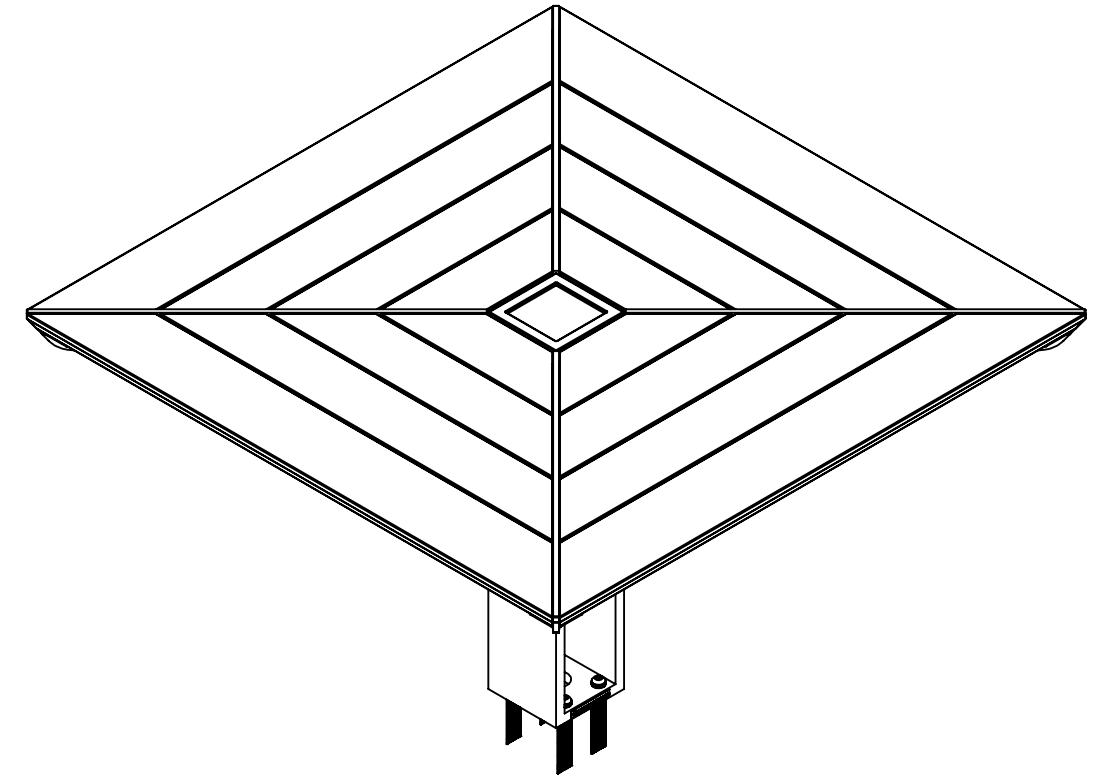
UNLESS OTHERWISE SPECIFIED: 1. PRIMARY DIM. ARE IN INCHES & SECONDARY [DIM] IN MM 2. TOLERANCES FRACTIONAL: ±1/32; ANGULAR/BEND: ±1° TWO PLACE DECIMAL ±.030 THREE PLACE DECIMAL ±.020 3. REMOVE ALL BURRS AND SHARP EDGES				30 Pine Street, Pittsburgh, PA 15223 Tel (412) 781-9003 Fax (412) 385-4715									
THIRD ANGLE PROJECTION		NAME DWN LJK	DATE 06/21/2021	DESCRIPTION: APEX ENSEMBLE TABLE, CUMARU STAPX-OBC, TABLE, CMR, SFM									
MATERIAL: REFER DATA SHEET		CHK MGJ	06/21/2021										
FINISH: - REFER DATA SHEET		DO NOT SCALE DRAWING		<table border="1"> <tr> <td>SIZE</td> <td>DWG. NO.</td> <td>REV</td> <td>SHEET</td> </tr> <tr> <td>B</td> <td>STAPX-OBC-CMR-SFM-CS</td> <td>0</td> <td>1 OF 1</td> </tr> </table>		SIZE	DWG. NO.	REV	SHEET	B	STAPX-OBC-CMR-SFM-CS	0	1 OF 1
SIZE	DWG. NO.	REV	SHEET										
B	STAPX-OBC-CMR-SFM-CS	0	1 OF 1										
WEIGHT: - REFER DATA SHEET		PROPRIETARY AND CONFIDENTIAL THE INFORMATION CONTAINED IN THIS DRAWING IS THE SOLE PROPERTY OF FORMS + SURFACES. ANY REPRODUCTION IN PART OR AS A WHOLE WITHOUT WRITTEN PERMISSION IS PROHIBITED.											
SCALE: N.T.S													

UPDATED ON: 06/21/2021

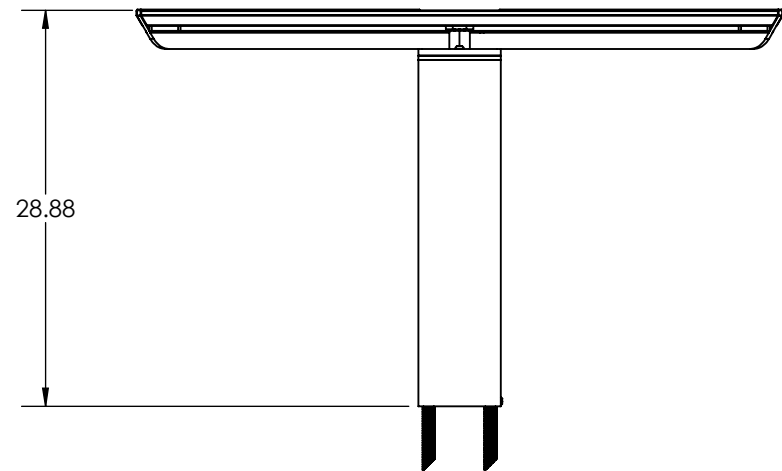
8 7 6 5 4 3 2 1



TOP VIEW



ISO VIEW



FRONT VIEW

NOTE(S):
 1. ALUMINUM SLATS ARE SHOWN AS FLAT WITHOUT RIDGES FOR CLEAR VISIBILITY.

UNLESS OTHERWISE SPECIFIED: 1. PRIMARY DIM. ARE IN INCHES & SECONDARY [DIM] IN MM 2. TOLERANCES FRACTIONAL: ±1/32; ANGULAR/BEND: ±1° TWO PLACE DECIMAL ±.030 THREE PLACE DECIMAL ±.020 3. REMOVE ALL BURRS AND SHARP EDGES		FORMS+SURFACES 30 Pine Street, Pittsburgh, PA 15223 Tel (412) 781-9003 Fax (412) 385-4715	
THIRD ANGLE PROJECTION		NAME DWN LJK	DATE 06/21/2021
MATERIAL: REFER DATA SHEET		DESCRIPTION: APEX ENSEMBLE TABLE, ALUMINUM STAPX-OBA, TABLE, AL, SFM	
FINISH: - REFER DATA SHEET		DO NOT SCALE DRAWING	
WEIGHT: - REFER DATA SHEET		PROPRIETARY AND CONFIDENTIAL THE INFORMATION CONTAINED IN THIS DRAWING IS THE SOLE PROPERTY OF FORMS + SURFACES. ANY REPRODUCTION IN PART OR AS A WHOLE WITHOUT WRITTEN PERMISSION IS PROHIBITED.	
SCALE: N.T.S		SIZE B	DWG. NO. STAPX-OBA-AL-SFM-CS
		REV 0	SHEET 1 OF 1

CUSTOMER APPROVAL:

X _____

DATE:

X _____

8 7 6 5 4 3 2 1

D
C
B
A

D
C
B
A

UPDATED ON: 06/21/2021