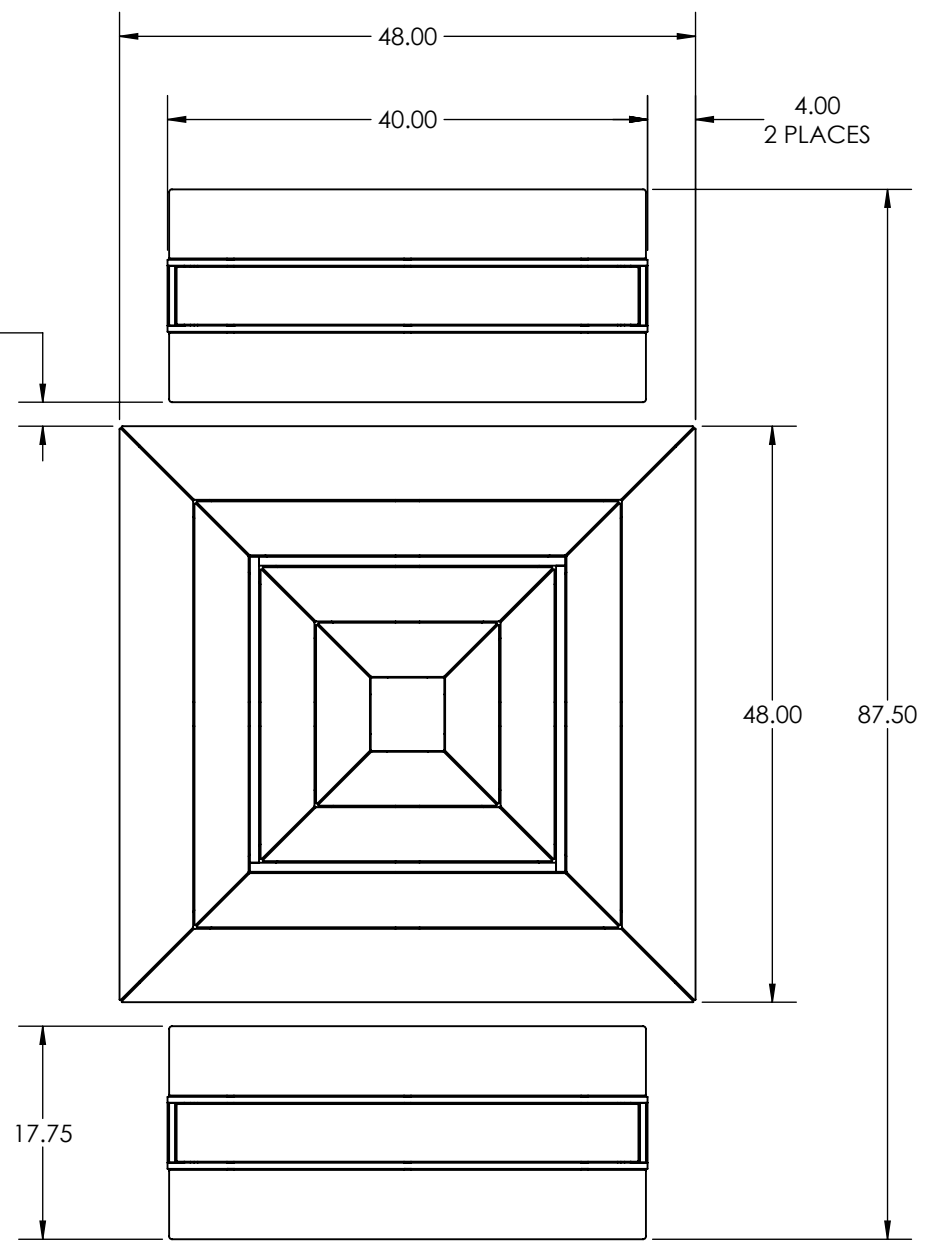
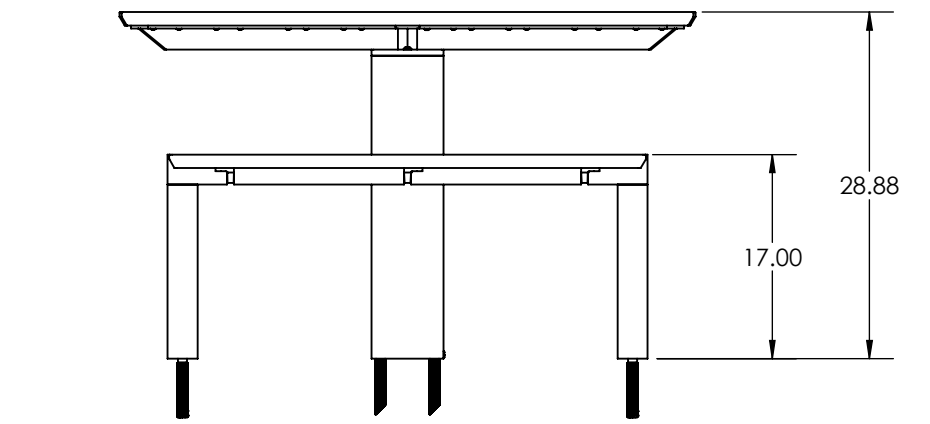


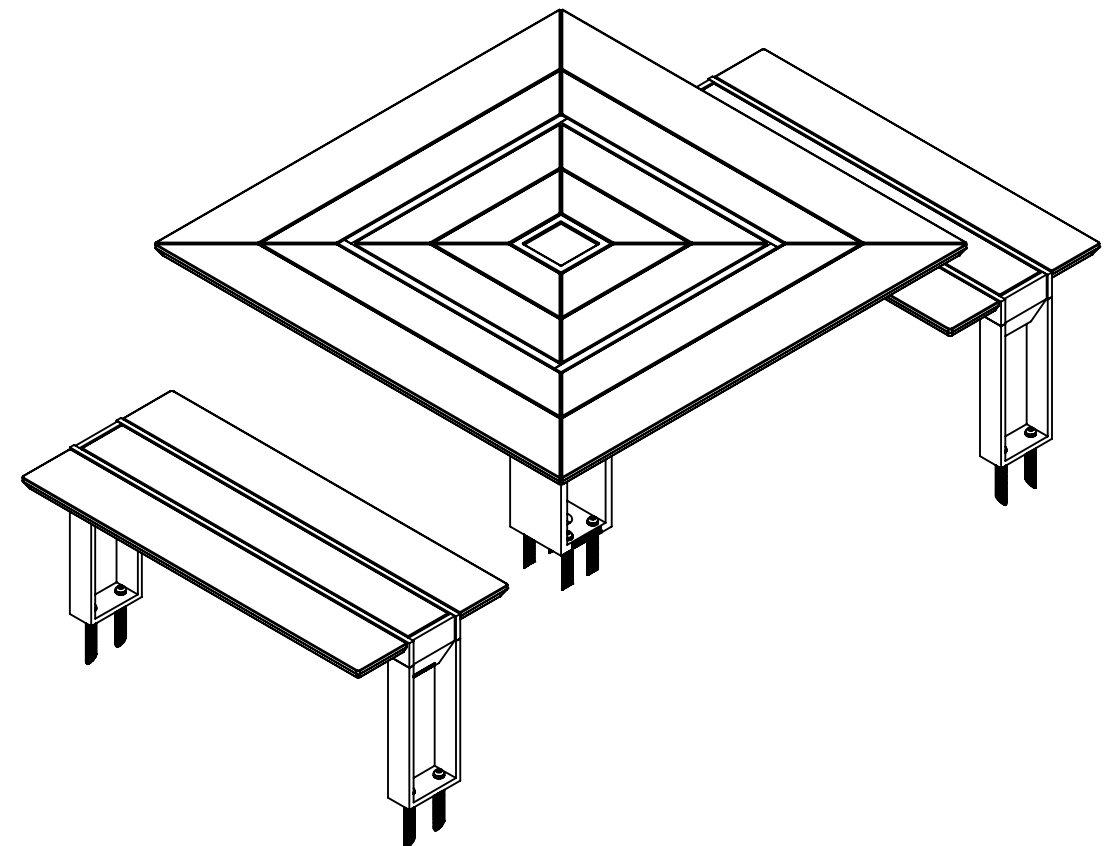
2.00
2 PLACES



TOP VIEW



FRONT VIEW



ISO VIEW

CUSTOMER APPROVAL:

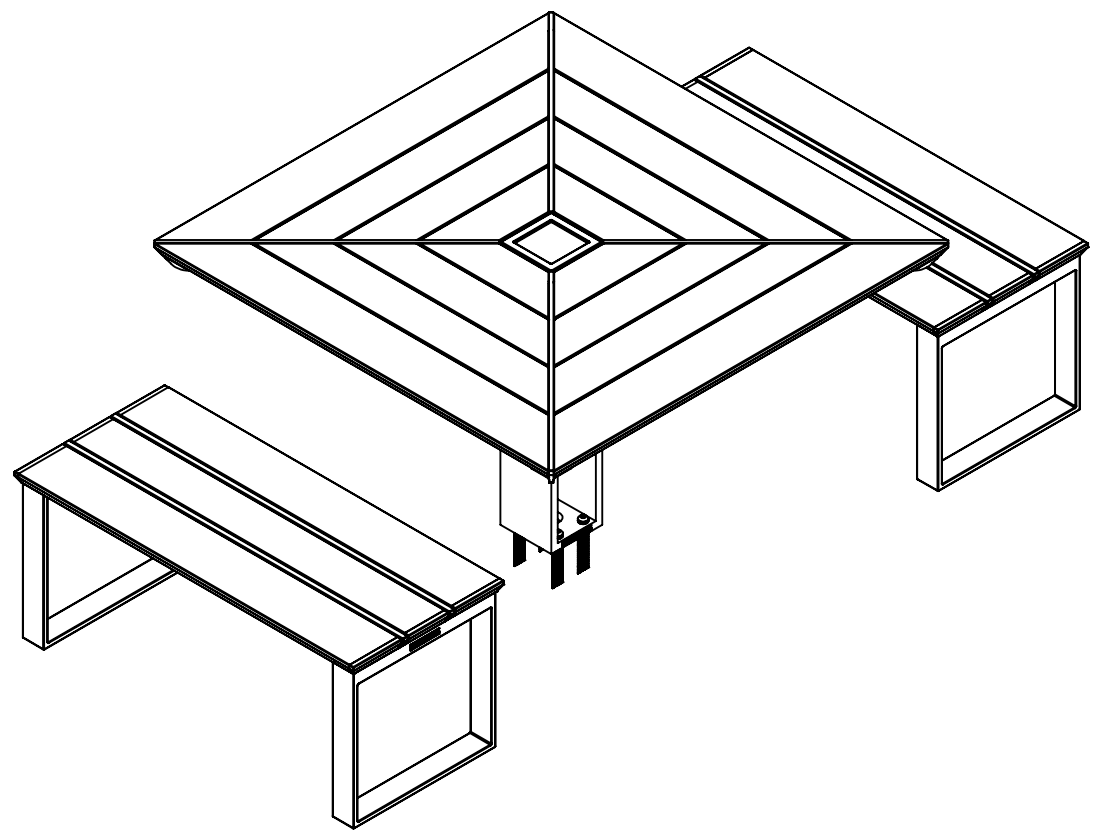
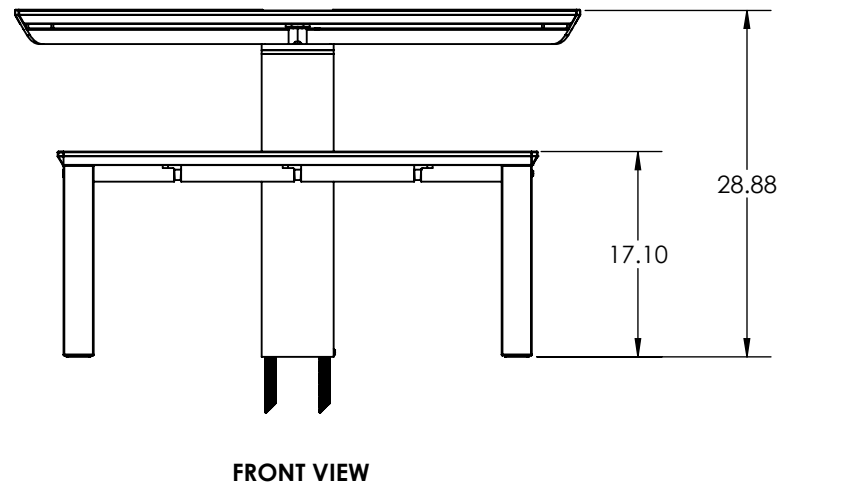
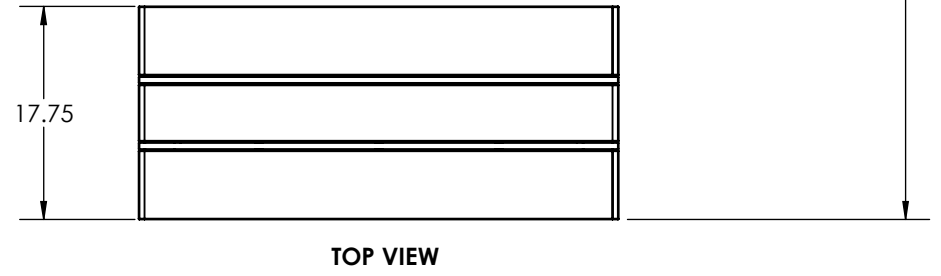
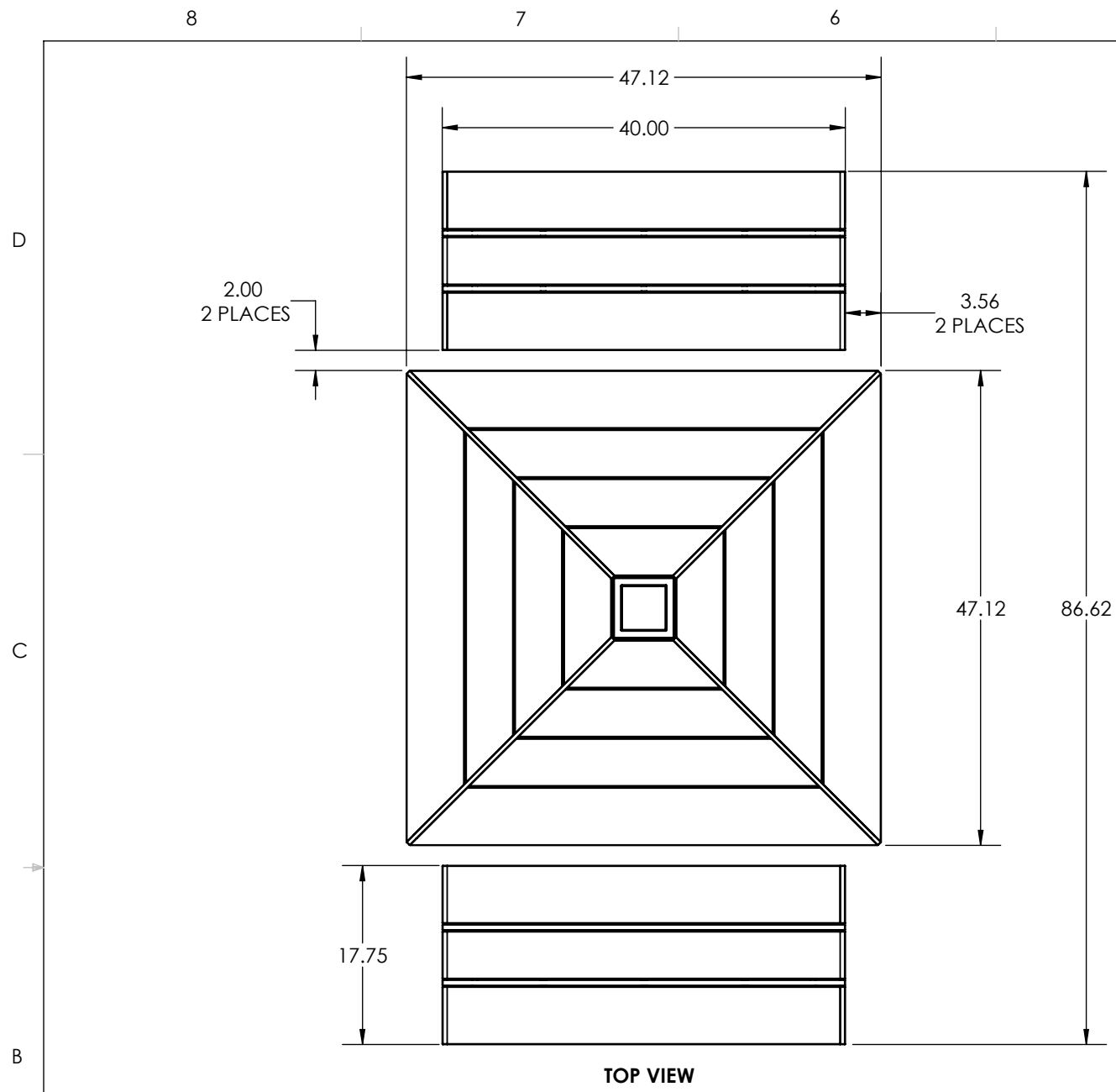
X _____

DATE:

X _____

UNLESS OTHERWISE SPECIFIED: 1. PRIMARY DIM. ARE IN INCHES & SECONDARY [DIM] IN MM 2. TOLERANCES FRACTIONAL: ±1/32; ANGULAR/BEND: ±1° TWO PLACE DECIMAL ±.030 THREE PLACE DECIMAL ±.020 3. REMOVE ALL BURRS AND SHARP EDGES THIRD ANGLE PROJECTION				30 Pine Street, Pittsburgh, PA 15223 Tel (412) 781-9003 Fax (412) 385-4715	
MATERIAL: REFER DATA SHEET		NAME: DWN LJK DATE: 06/21/2021		DESCRIPTION: APEX ENSEMBLE ENSEMBLE, CUMARU, 2 SURFACE MOUNT BENCHES STAPX-2BC, SET(1T/2B), CMR, SFM	
FINISH: - REFER DATA SHEET		PROPRIETARY AND CONFIDENTIAL THE INFORMATION CONTAINED IN THIS DRAWING IS THE SOLE PROPERTY OF FORMS + SURFACES. ANY REPRODUCTION IN PART OR AS A WHOLE WITHOUT WRITTEN PERMISSION IS PROHIBITED.		SIZE: B DWG. NO.: STAPX-2BC-CMR-SFM-CS REV: 0 SHEET: 1 OF 1	
WEIGHT: - REFER DATA SHEET		DO NOT SCALE DRAWING			
SCALE: N.T.S					

UPDATED ON: 06/21/2021



ISO VIEW

NOTE(S):
 1. ALUMINUM SLATS ARE SHOWN AS FLAT WITHOUT RIDGES FOR CLEAR VISIBILITY.

UNLESS OTHERWISE SPECIFIED:
 1. PRIMARY DIM. ARE IN INCHES & SECONDARY [DIM] IN MM
 2. TOLERANCES
 FRACTIONAL: ±1/32; ANGULAR/BEND: ±1°
 TWO PLACE DECIMAL ±.030
 THREE PLACE DECIMAL ±.020
 3. REMOVE ALL BURRS AND SHARP EDGES



30 Pine Street, Pittsburgh, PA 15223
 Tel (412) 781-9003 Fax (412) 385-4715

NAME	DATE	DESCRIPTION:
DWN LJK	06/21/2021	APEX ENSEMBLE ENSEMBLE, ALUMINUM, 2 FREESTANDING BENCHES STAPX-2BQA, SET(1T/2B), AL, FRS
CHK MGJ	06/21/2021	
MATERIAL: REFER DATA SHEET		DO NOT SCALE DRAWING
FINISH: - REFER DATA SHEET		PROPRIETARY AND CONFIDENTIAL THE INFORMATION CONTAINED IN THIS DRAWING IS THE SOLE PROPERTY OF FORMS + SURFACES. ANY REPRODUCTION IN PART OR AS A WHOLE WITHOUT WRITTEN PERMISSION IS PROHIBITED.
WEIGHT: - REFER DATA SHEET		
SCALE: N.T.S		

SIZE	DWG. NO.	REV	SHEET
B	STAPX-2BA-AL-FRS-CS	0	1 OF 1

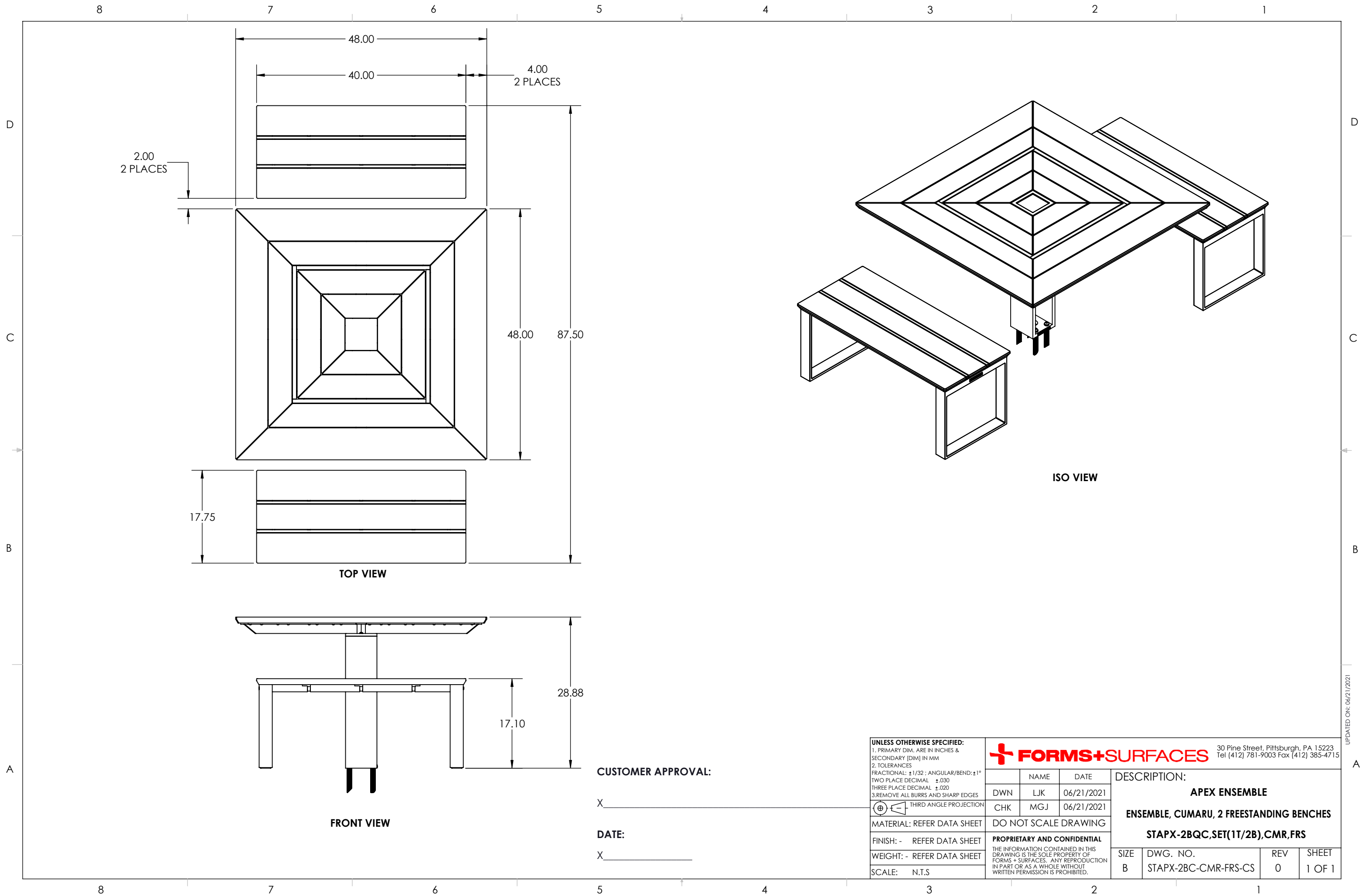
CUSTOMER APPROVAL:

X _____

DATE:

X _____

UPDATED ON: 06/21/2021



CUSTOMER APPROVAL:

X _____

DATE:

X _____

UNLESS OTHERWISE SPECIFIED: 1. PRIMARY DIM. ARE IN INCHES & SECONDARY [DIM] IN MM 2. TOLERANCES FRACTIONAL: ±1/32; ANGULAR/BEND: ±1° TWO PLACE DECIMAL ±.030 THREE PLACE DECIMAL ±.020 3. REMOVE ALL BURRS AND SHARP EDGES THIRD ANGLE PROJECTION		FORMS+SURFACES 30 Pine Street, Pittsburgh, PA 15223 Tel (412) 781-9003 Fax (412) 385-4715								
MATERIAL: REFER DATA SHEET FINISH: - REFER DATA SHEET WEIGHT: - REFER DATA SHEET SCALE: N.T.S.		<table border="1"> <thead> <tr> <th>NAME</th> <th>DATE</th> </tr> </thead> <tbody> <tr> <td>DWN LJK</td> <td>06/21/2021</td> </tr> <tr> <td>CHK MGJ</td> <td>06/21/2021</td> </tr> </tbody> </table>	NAME	DATE	DWN LJK	06/21/2021	CHK MGJ	06/21/2021	DESCRIPTION: APEX ENSEMBLE ENSEMBLE, CUMARU, 2 FREESTANDING BENCHES STAPX-2BQC, SET(1T/2B), CMR, FRS	
NAME	DATE									
DWN LJK	06/21/2021									
CHK MGJ	06/21/2021									
PROPRIETARY AND CONFIDENTIAL THE INFORMATION CONTAINED IN THIS DRAWING IS THE SOLE PROPERTY OF FORMS + SURFACES. ANY REPRODUCTION IN PART OR AS A WHOLE WITHOUT WRITTEN PERMISSION IS PROHIBITED.		<table border="1"> <thead> <tr> <th>SIZE</th> <th>DWG. NO.</th> <th>REV</th> <th>SHEET</th> </tr> </thead> <tbody> <tr> <td>B</td> <td>STAPX-2BC-CMR-FRS-CS</td> <td>0</td> <td>1 OF 1</td> </tr> </tbody> </table>	SIZE	DWG. NO.	REV	SHEET	B	STAPX-2BC-CMR-FRS-CS	0	1 OF 1
SIZE	DWG. NO.	REV	SHEET							
B	STAPX-2BC-CMR-FRS-CS	0	1 OF 1							

UPDATED ON: 06/21/2021