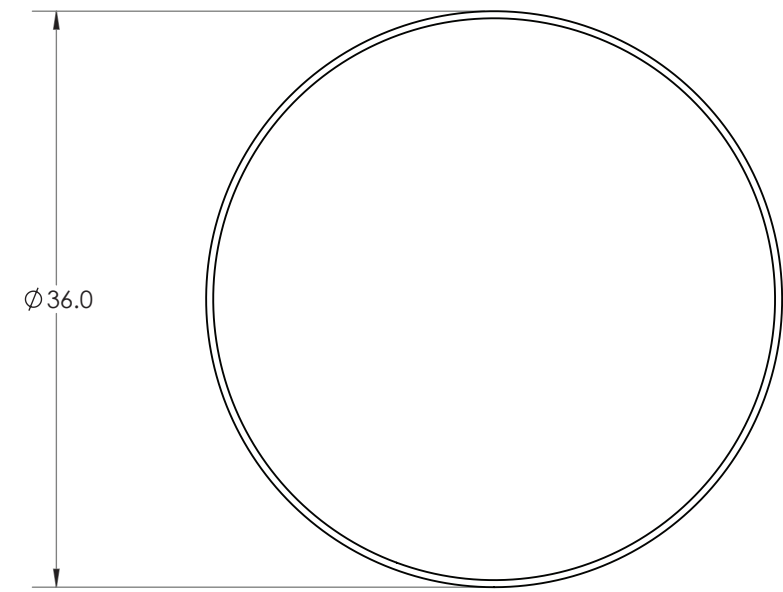


8 7 6 5 4 3 2 1

D  
C  
B  
A

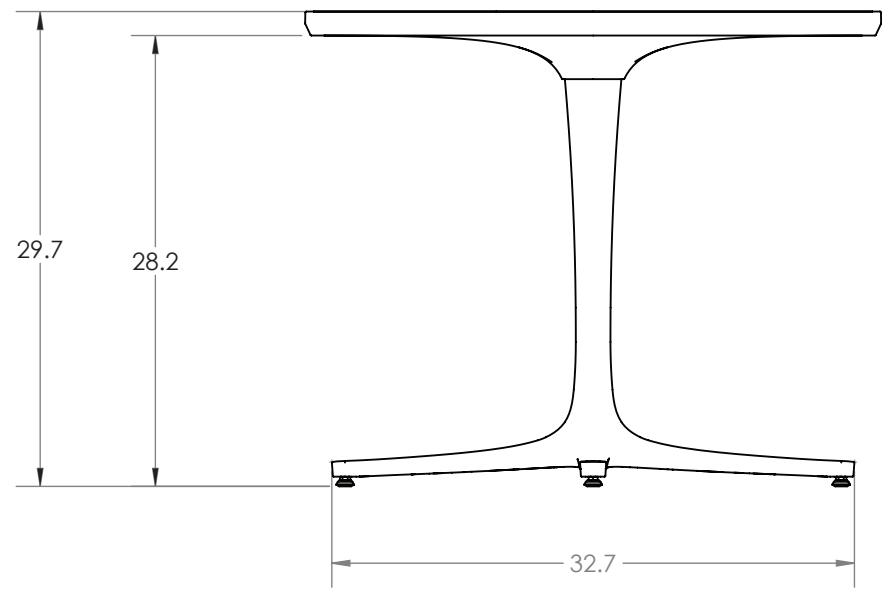
D  
C  
B  
A



TOP VIEW



ISOMETRIC VIEW



FRONT VIEW

CUSTOMER APPROVAL:

X \_\_\_\_\_

DATE:

X \_\_\_\_\_

<b>UNLESS OTHERWISE SPECIFIED:</b> 1. PRIMARY DIM. ARE IN INCHES & SECONDARY [DIM] IN MM 2. TOLERANCES FRACTIONAL: ±1/32; ANGULAR/BEND: ±1° TWO PLACE DECIMAL ±.030 THREE PLACE DECIMAL ±.020 3. REMOVE ALL BURRS AND SHARP EDGES				30 Pine Street, Pittsburgh, PA 15223 Tel (412) 781-9003 Fax (412) 781-7840	
MATERIAL: SEE DATA SHEET FINISH: SEE DATA SHEET WEIGHT: SEE DATA SHEET SCALE: NOT TO SCALE		NAME DWN CHK		DATE 09/19/18	
THIRD ANGLE PROJECTION		DO NOT SCALE DRAWING		DESCRIPTION:  <b>AVIVO PEDESTAL TABLE          Ø36" CAFÉ HEIGHT</b>	
PROPRIETARY AND CONFIDENTIAL THE INFORMATION CONTAINED IN THIS DRAWING IS THE SOLE PROPERTY OF FORMS + SURFACES. ANY REPRODUCTION IN PART OR AS A WHOLE WITHOUT WRITTEN PERMISSION IS PROHIBITED.		SIZE B	DWG. NO. STAVO-C36R	REV 0	SHEET 1 OF 1

8 7 6 5 4 3 2 1