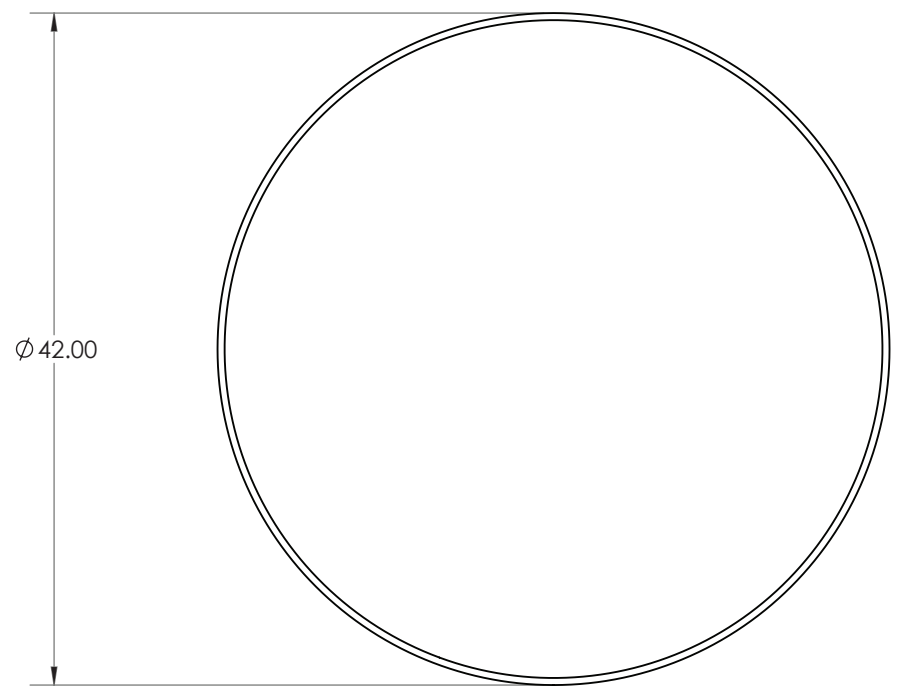


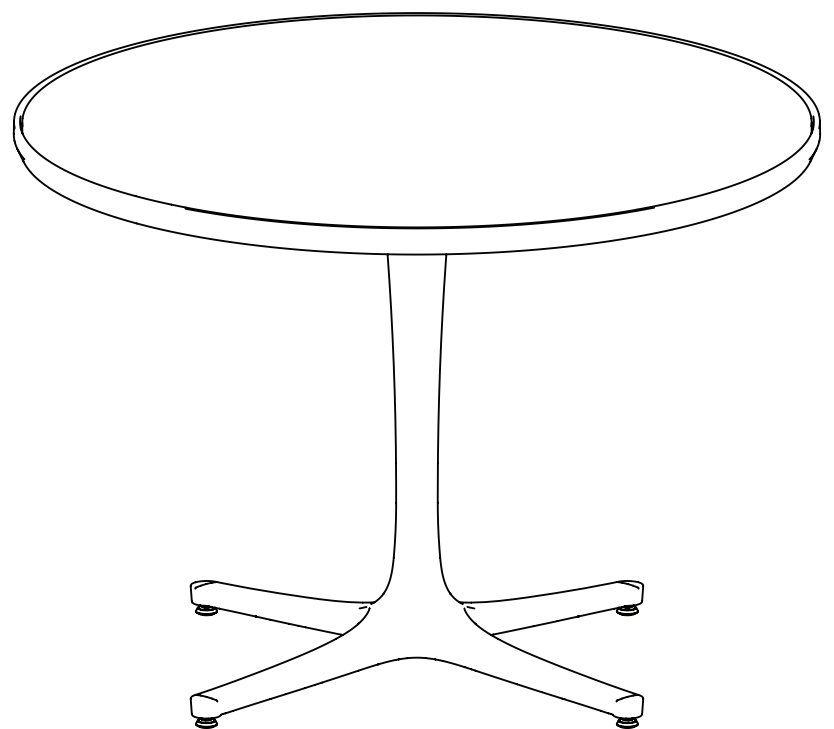
8 7 6 5 4 3 2 1

D
C
B
A

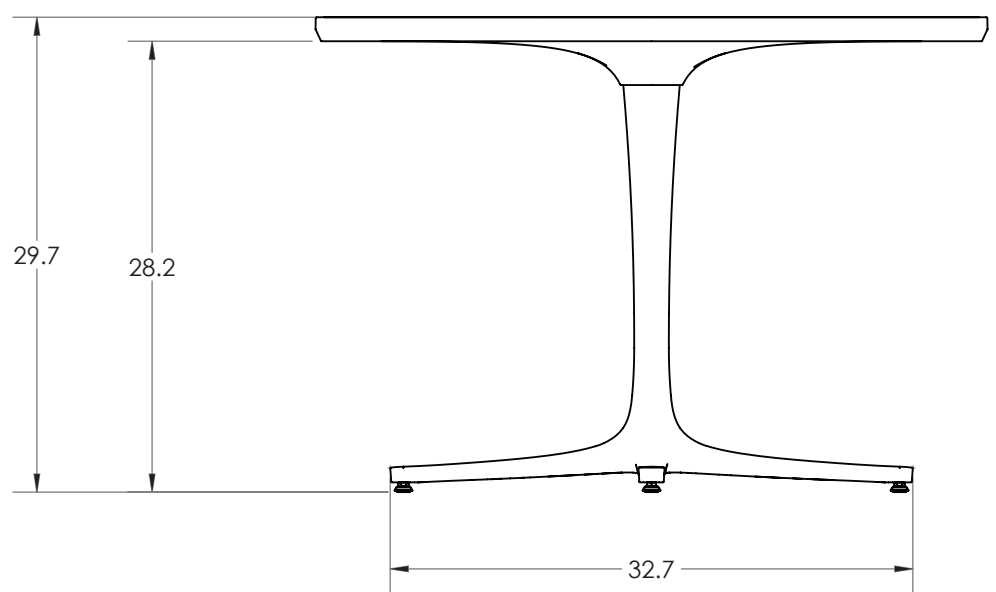


Ø42.00

TOP VIEW



ISOMETRIC VIEW



29.7

28.2

32.7

FRONT VIEW

CUSTOMER APPROVAL:

X _____

DATE:

X _____

<p>UNLESS OTHERWISE SPECIFIED: 1. PRIMARY DIM. ARE IN INCHES & SECONDARY [DIM] IN MM 2. TOLERANCES FRACTIONAL: ±1/32; ANGULAR/BEND: ±1° TWO PLACE DECIMAL ±.030 THREE PLACE DECIMAL ±.020 3. REMOVE ALL BURRS AND SHARP EDGES</p> <p>THIRD ANGLE PROJECTION</p> <p>MATERIAL: SEE DATA SHEET</p> <p>FINISH: SEE DATA SHEET</p> <p>WEIGHT: SEE DATA SHEET</p> <p>SCALE: NOT TO SCALE</p>	<p>FORMS+SURFACES 30 Pine Street, Pittsburgh, PA 15223 Tel (412) 781-9003 Fax (412) 781-7840</p>			<p>DESCRIPTION:</p> <p>AVIVO PEDESTAL TABLE Ø42" CAFÉ HEIGHT</p>		
	NAME	DATE				
	DWN	RTS	09/19/18			
	CHK					
<p>PROPRIETARY AND CONFIDENTIAL</p> <p>THE INFORMATION CONTAINED IN THIS DRAWING IS THE SOLE PROPERTY OF FORMS + SURFACES. ANY REPRODUCTION IN PART OR AS A WHOLE WITHOUT WRITTEN PERMISSION IS PROHIBITED.</p>			SIZE	DWG. NO.	REV	SHEET
			B	STAVO-C42R	0	1 OF 1

8 7 6 5 4 3 2 1