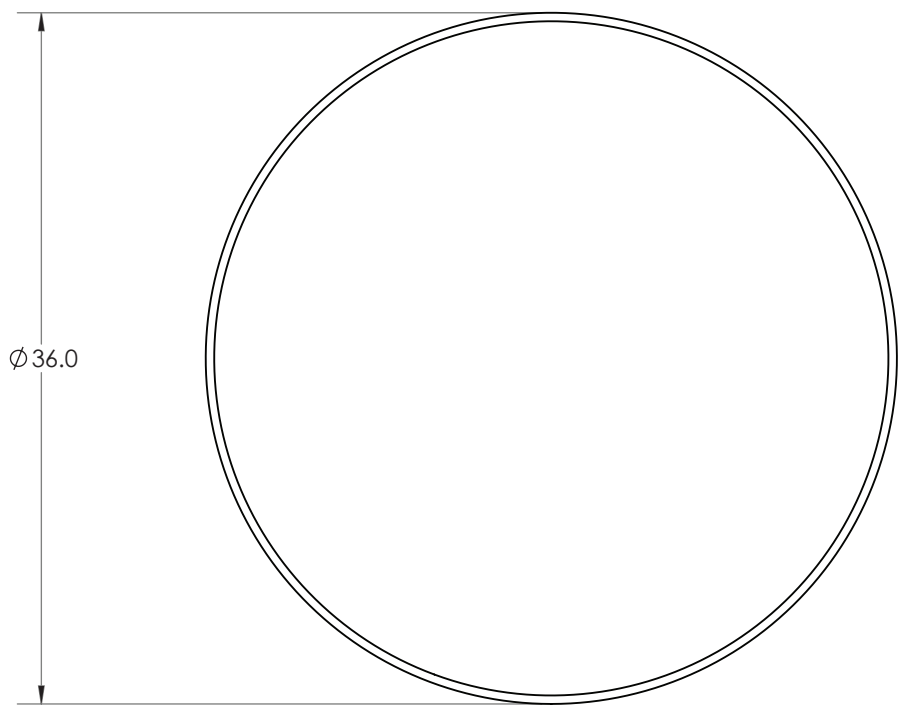


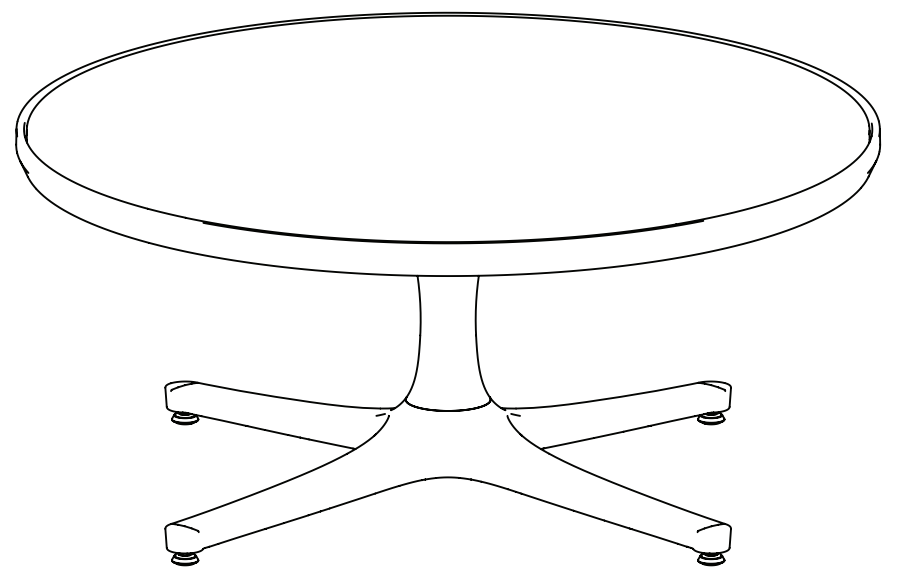
8 7 6 5 4 3 2 1

D
C
B
A

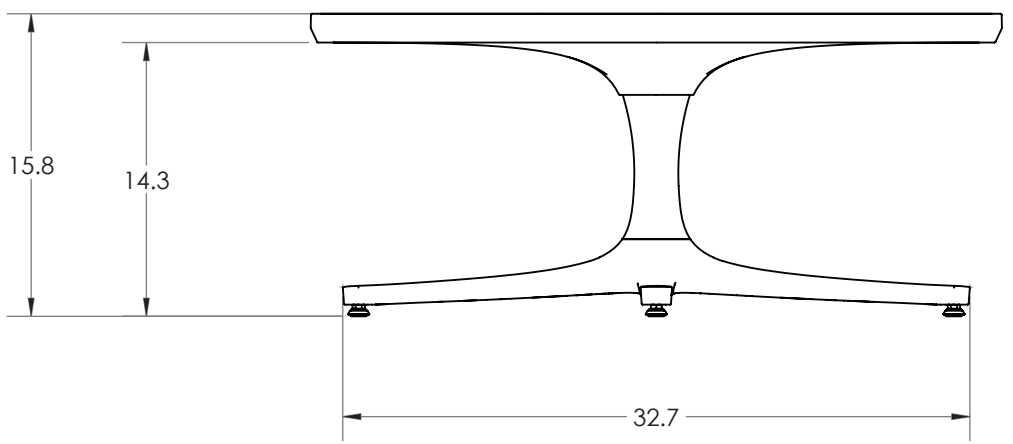


Ø36.0

TOP VIEW



ISOMETRIC VIEW



15.8

14.3

32.7

FRONT VIEW

CUSTOMER APPROVAL:

X _____

DATE:

X _____

UNLESS OTHERWISE SPECIFIED: 1. PRIMARY DIM. ARE IN INCHES & SECONDARY [DIM] IN MM 2. TOLERANCES FRACTIONAL: ±1/32; ANGULAR/BEND: ±1° TWO PLACE DECIMAL ±.030 THREE PLACE DECIMAL ±.020 3. REMOVE ALL BURRS AND SHARP EDGES		30 Pine Street, Pittsburgh, PA 15223 Tel (412) 781-9003 Fax (412) 781-7840	
MATERIAL: SEE DATA SHEET FINISH: SEE DATA SHEET WEIGHT: SEE DATA SHEET SCALE: NOT TO SCALE		NAME DWN CHK	DATE RTS 09/19/18
THIRD ANGLE PROJECTION		DESCRIPTION: AVIVO PEDESTAL TABLE Ø36" LOUNGE HEIGHT	
PROPRIETARY AND CONFIDENTIAL THE INFORMATION CONTAINED IN THIS DRAWING IS THE SOLE PROPERTY OF FORMS + SURFACES. ANY REPRODUCTION IN PART OR AS A WHOLE WITHOUT WRITTEN PERMISSION IS PROHIBITED.		SIZE B	DWG. NO. STAVO-L36R
		REV 0	SHEET 1 OF 1

8 7 6 5 4 3 2 1