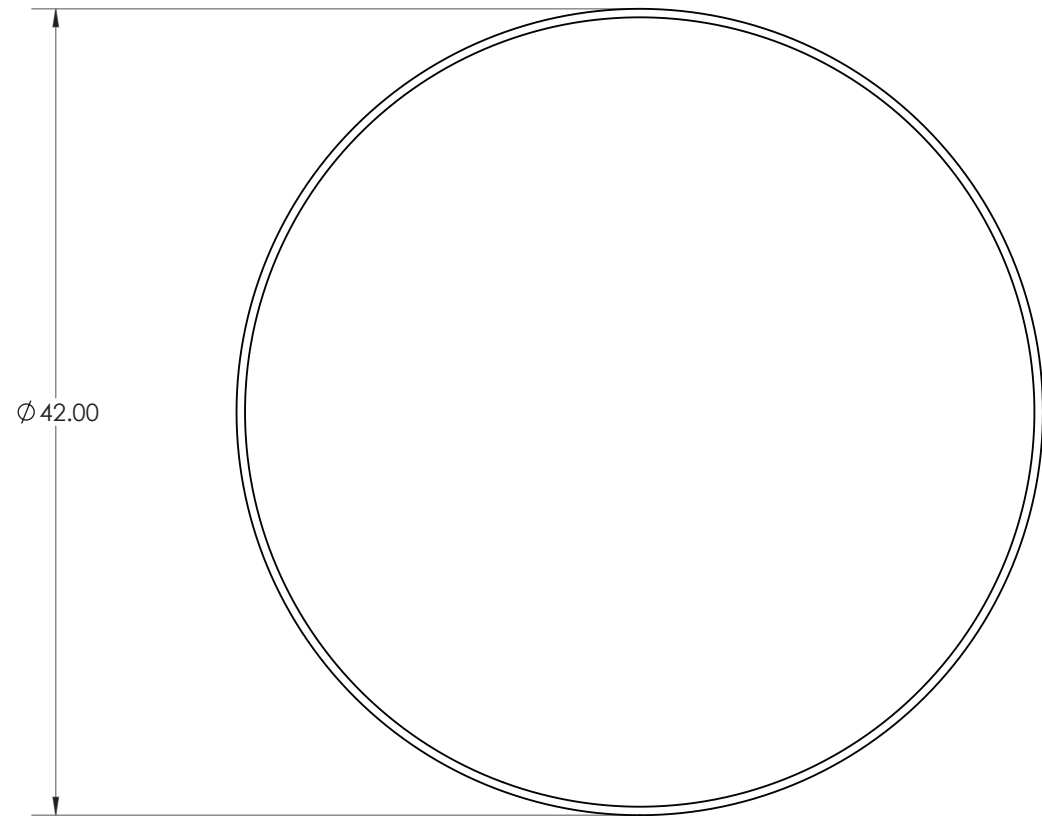


8 7 6 5 4 3 2 1

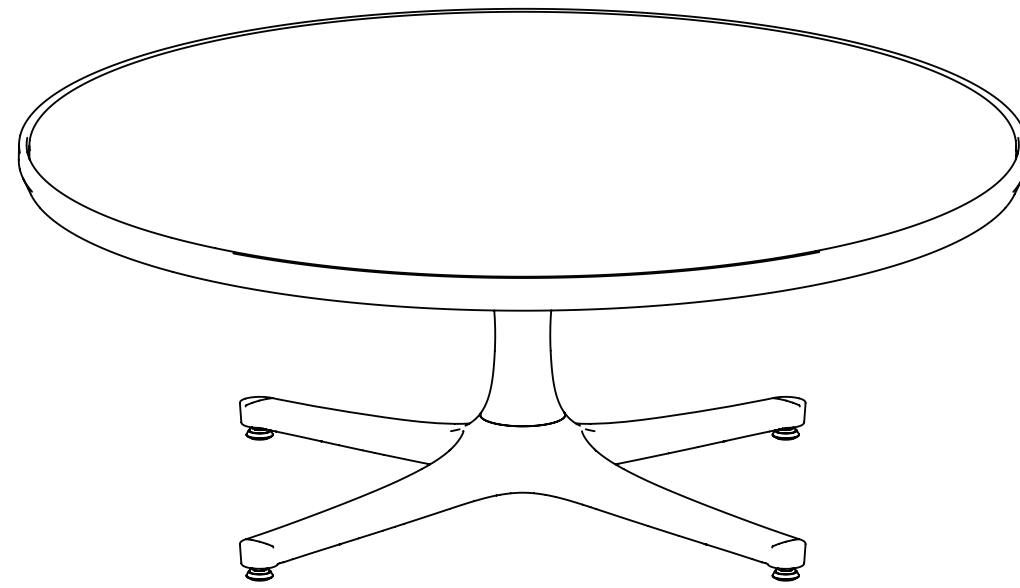
D  
C  
B  
A

D  
C  
B  
A

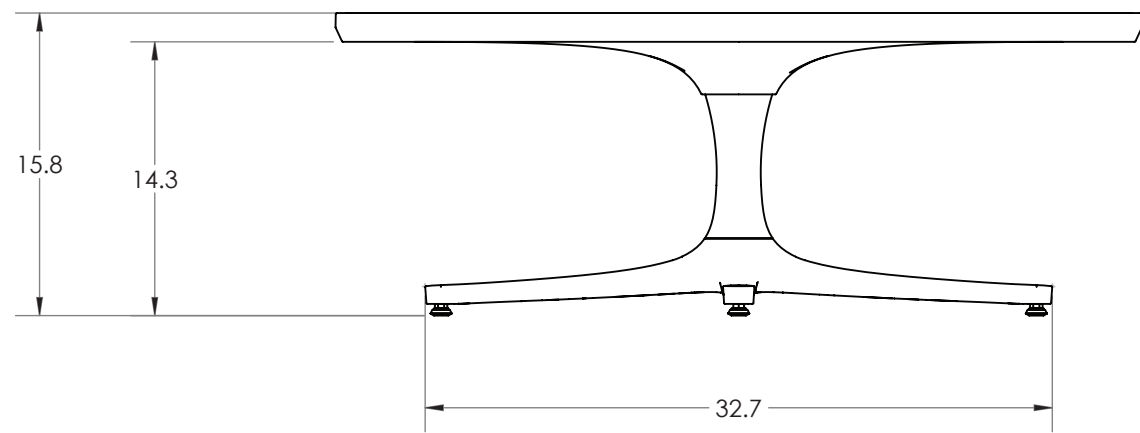


Ø 42.00

TOP VIEW



ISOMETRIC VIEW



15.8

14.3

32.7

FRONT VIEW

CUSTOMER APPROVAL:

X \_\_\_\_\_

DATE:

X \_\_\_\_\_

<p><b>UNLESS OTHERWISE SPECIFIED:</b>                  1. PRIMARY DIM. ARE IN INCHES &amp; SECONDARY [DIM] IN MM                  2. TOLERANCES                  FRACTIONAL: ±1/32; ANGULAR/BEND: ±1°                  TWO PLACE DECIMAL ±.030                  THREE PLACE DECIMAL ±.020                  3. REMOVE ALL BURRS AND SHARP EDGES</p> <p>THIRD ANGLE PROJECTION</p> <p>MATERIAL: SEE DATA SHEET</p> <p>FINISH: SEE DATA SHEET</p> <p>WEIGHT: SEE DATA SHEET</p> <p>SCALE: NOT TO SCALE</p>	<p><b>FORMS+SURFACES</b> 30 Pine Street, Pittsburgh, PA 15223                  Tel (412) 781-9003 Fax (412) 781-7840</p>			<p>DESCRIPTION:</p>		
	NAME	DATE	<p><b>AVIVO PEDESTAL TABLE</b>  <b>Ø42" LOUNGE HEIGHT</b></p>			
	DWN	RTS				09/19/18
	CHK					
<p>PROPRIETARY AND CONFIDENTIAL</p> <p>THE INFORMATION CONTAINED IN THIS DRAWING IS THE SOLE PROPERTY OF FORMS + SURFACES. ANY REPRODUCTION IN PART OR AS A WHOLE WITHOUT WRITTEN PERMISSION IS PROHIBITED.</p>			SIZE	DWG. NO.	REV	SHEET
			B	STAVO-L42R	0	1 OF 1

8 7 6 5 4 3 2 1