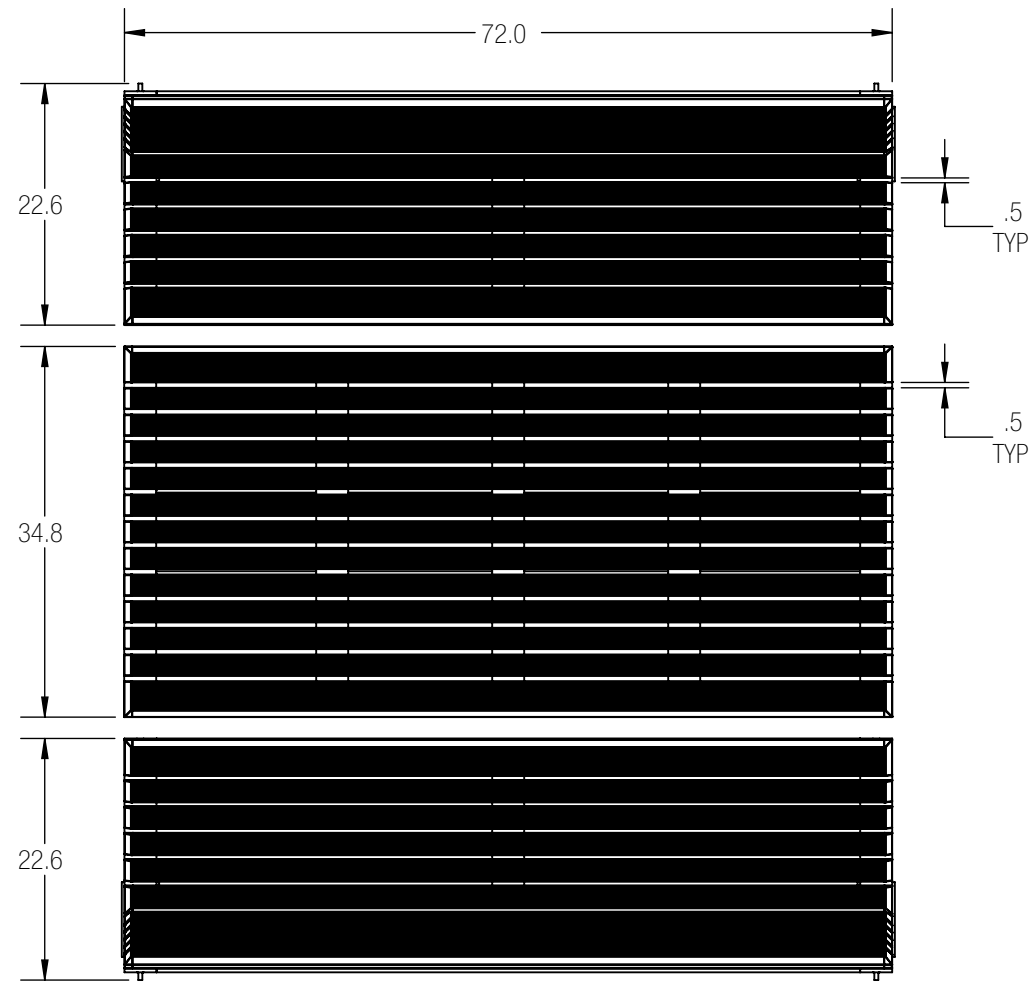


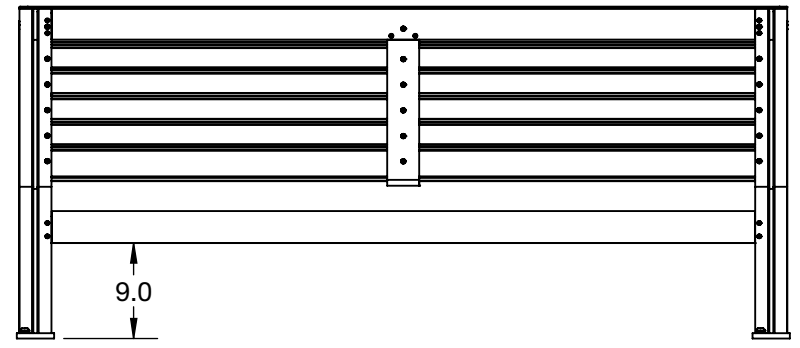
8 7 6 5 4 3 2 1

D
C
B
A

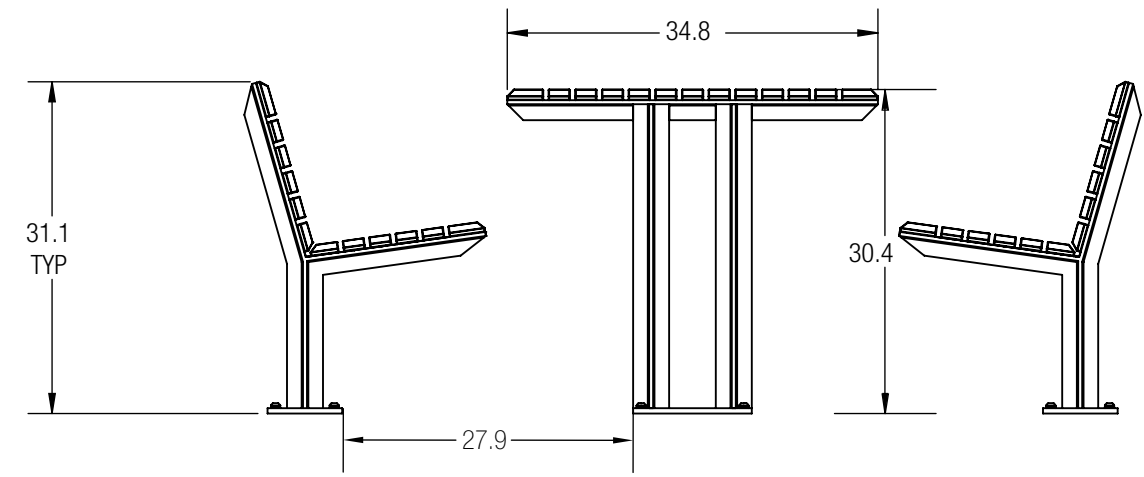
D
C
B
A



TOP VIEW



FRONT VIEW



SIDE VIEW

UNLESS OTHERWISE SPECIFIED: 1. PRIMARY DIM. ARE IN INCHES & SECONDARY [DIM] IN MM 2. TOLERANCES FRACTIONAL: ±1/32; ANGULAR/BEND: ±1° TWO PLACE DECIMAL ±.030 THREE PLACE DECIMAL ±.020 3. REMOVE ALL BURRS AND SHARP EDGES		 30 Pine Street, Pittsburgh, PA 15223 Tel (412) 781-9003 Fax (412) 781-7840			
THIRD ANGLE PROJECTION					
MATERIAL: REFER SO		DO NOT SCALE DRAWING	DESCRIPTION: KNIGHT TABLE ENSEMBLE BACKED, ALUMINUM SLATS STKNI-72BA		
FINISH: - REFER SO		PROPRIETARY AND CONFIDENTIAL		THE INFORMATION CONTAINED IN THIS DRAWING IS THE SOLE PROPERTY OF FORMS + SURFACES. ANY REPRODUCTION IN PART OR AS A WHOLE WITHOUT WRITTEN PERMISSION IS PROHIBITED.	
WEIGHT: - 483.42 LBS.		SIZE	DWG. NO.		REV
SCALE: N.T.S		B	STKNI-72BA		0
				SHEET	
				1 OF 1	

8 7 6 5 4 3 2 1