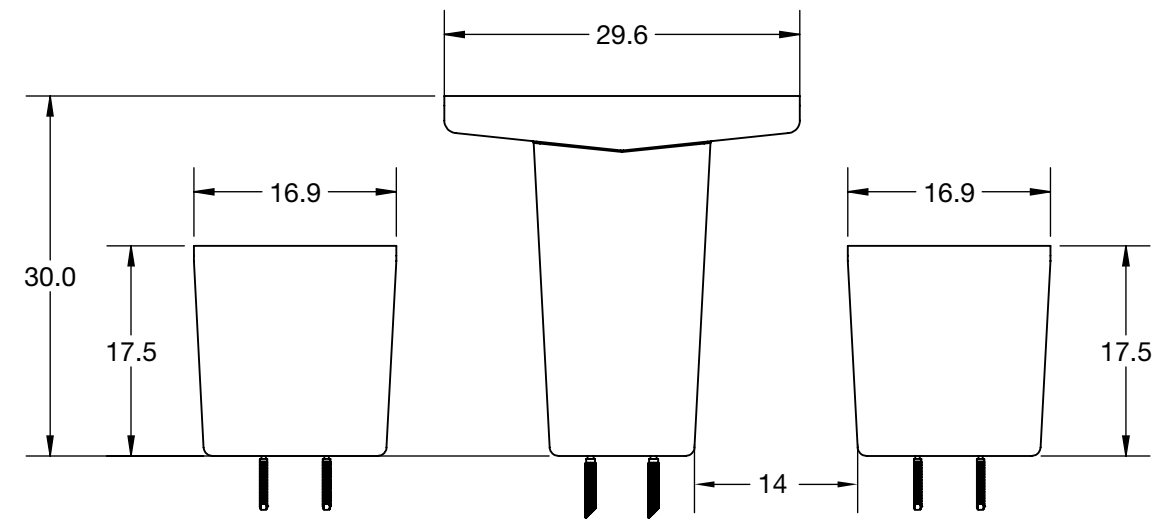
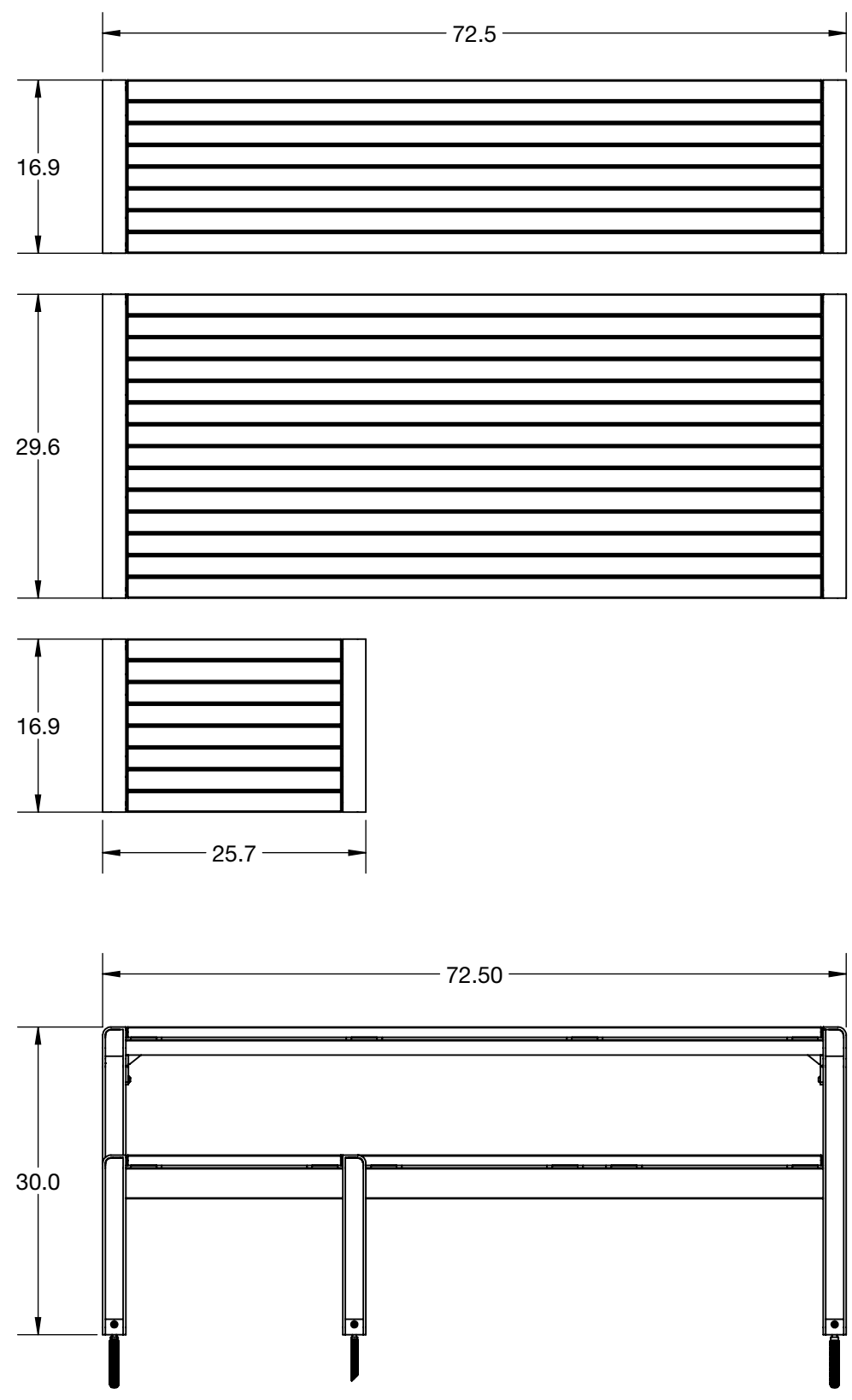


8 7 6 5 4 3 2 1

D  
C  
B  
A


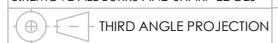


CUSTOMER APPROVAL:

X \_\_\_\_\_

DATE:

X \_\_\_\_\_

UNLESS OTHERWISE SPECIFIED: 1. PRIMARY DIM. ARE IN INCHES & SECONDARY [DIM] IN MM 2. TOLERANCES FRACTIONAL: ±1/32; ANGULAR/BEND: ±1° TWO PLACE DECIMAL ±.030 THREE PLACE DECIMAL ±.020 3. REMOVE ALL BURRS AND SHARP EDGES		 30 Pine Street, Pittsburgh, PA 15223 Tel (412) 781-9003 Fax (412) 781-7840						
 THIRD ANGLE PROJECTION MATERIAL: CUMARU/AL FINISH: - OIL/PC WEIGHT: - 281.99 POUNDS SCALE: N.T.S.				DESCRIPTION: <b>VECTOR TABLE ENSEMBLE</b> <b>STVTR-72C-ADA</b>				
		NAME	DATE	SIZE	DWG. NO.	REV	SHEET	
		DWN	MGJ	11/17/2017	B	STVTR-72C-ADA	0	1 OF 1
		CHK	AKS	11/17/2017				
		DO NOT SCALE DRAWING		PROPRIETARY AND CONFIDENTIAL THE INFORMATION CONTAINED IN THIS DRAWING IS THE SOLE PROPERTY OF FORMS + SURFACES. ANY REPRODUCTION IN PART OR AS A WHOLE WITHOUT WRITTEN PERMISSION IS PROHIBITED.				

8 7 6 5 4 3 2 1