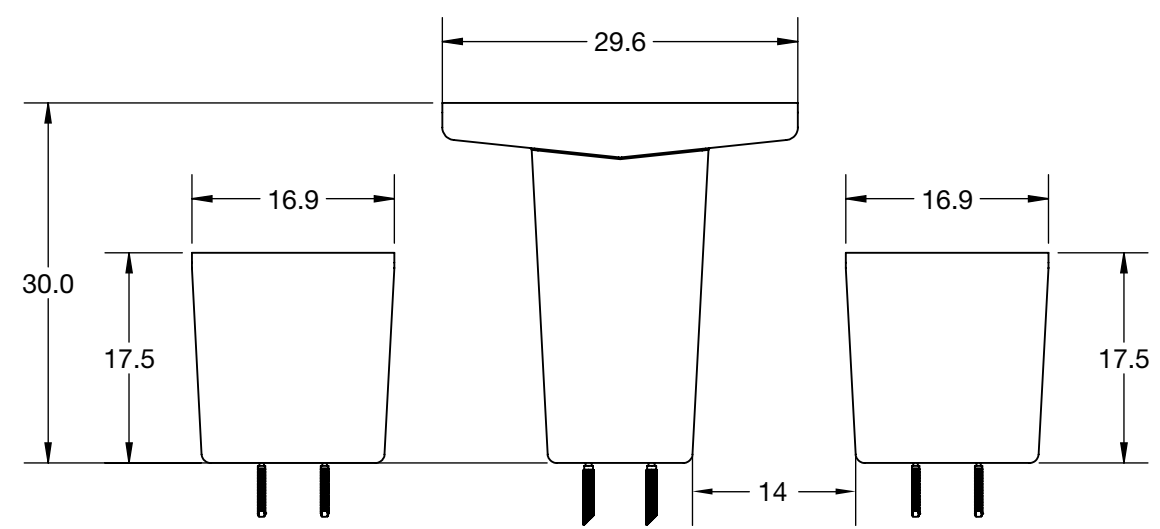
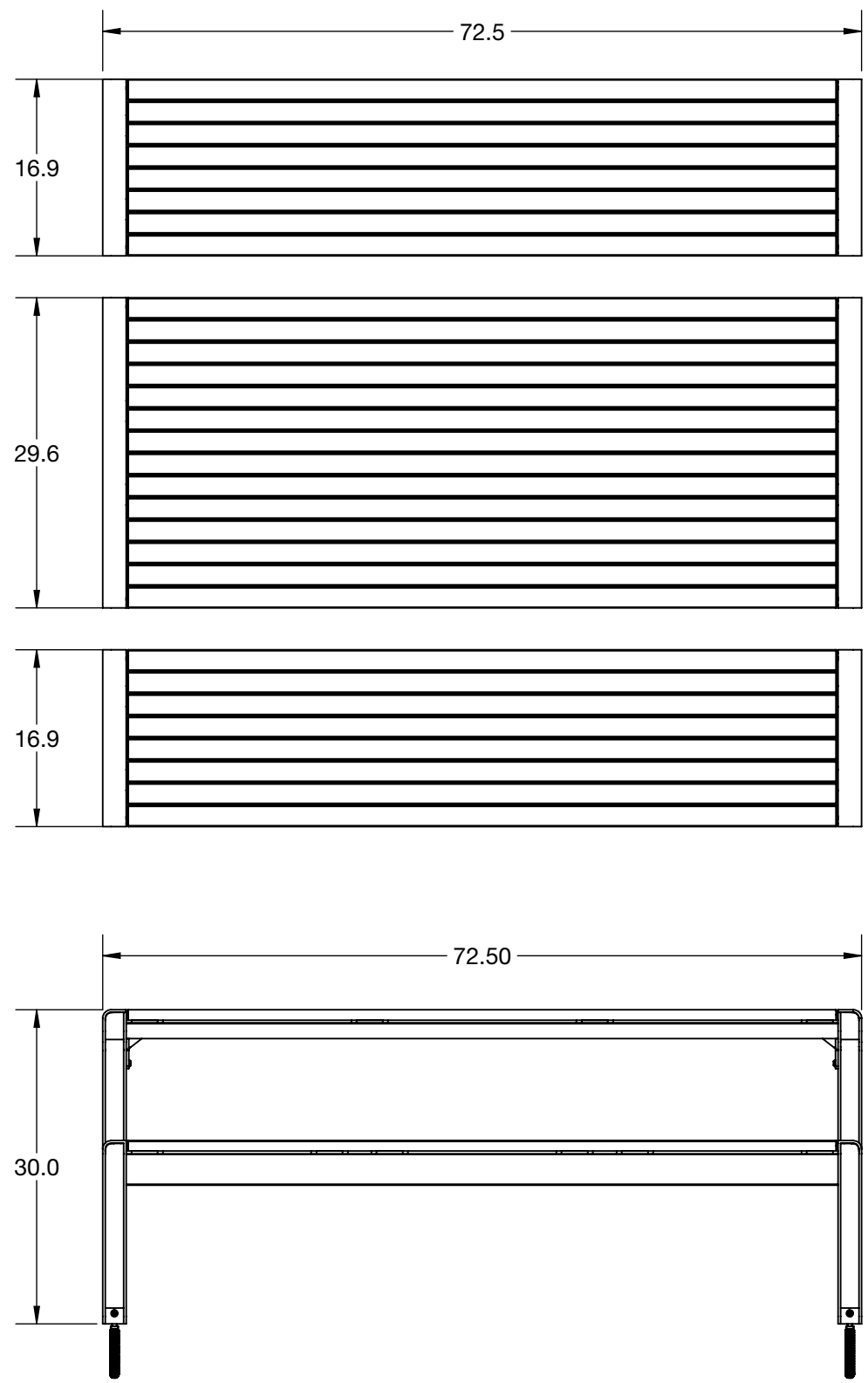


8 7 6 5 4 3 2 1

D  
C  
B  
A



CUSTOMER APPROVAL:

X \_\_\_\_\_

DATE:

X \_\_\_\_\_

UNLESS OTHERWISE SPECIFIED: 1. PRIMARY DIM. ARE IN INCHES & SECONDARY [DIM] IN MM 2. TOLERANCES FRACTIONAL: ±1/32; ANGULAR/BEND: ±1° TWO PLACE DECIMAL ±.030 THREE PLACE DECIMAL ±.020 3. REMOVE ALL BURRS AND SHARP EDGES		30 Pine Street, Pittsburgh, PA 15223 Tel (412) 781-9003 Fax (412) 781-7840		DESCRIPTION:		
THIRD ANGLE PROJECTION				NAME	DATE	<b>VECTOR TABLE ENSEMBLE</b> <b>STVTR-72C</b>
MATERIAL: CUMARU/AL		DWN	MGJ	11/17/2017	SIZE DWG. NO. REV SHEET B STVTR-72C 0 1 OF 1	
FINISH: - OIL/PC		CHK	AKS	11/17/2017		
WEIGHT: - 320.99 POUNDS		DO NOT SCALE DRAWING			PROPRIETARY AND CONFIDENTIAL THE INFORMATION CONTAINED IN THIS DRAWING IS THE SOLE PROPERTY OF FORMS + SURFACES. ANY REPRODUCTION IN PART OR AS A WHOLE WITHOUT WRITTEN PERMISSION IS PROHIBITED.	
SCALE: N.T.S						

8 7 6 5 4 3 2 1