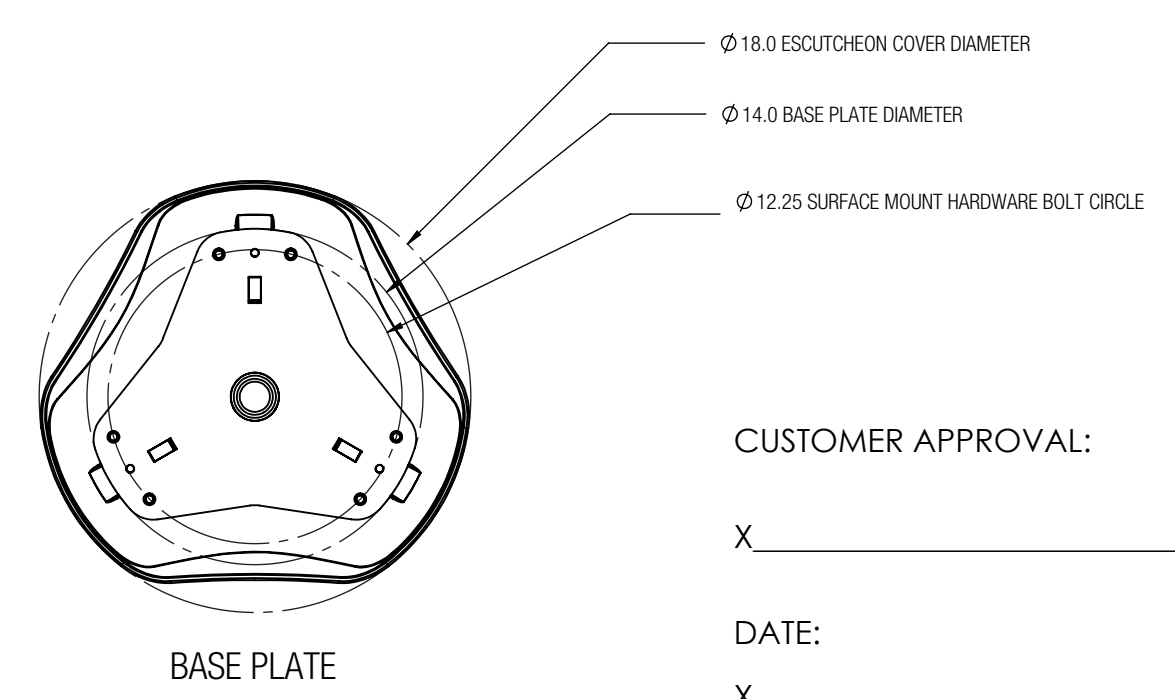
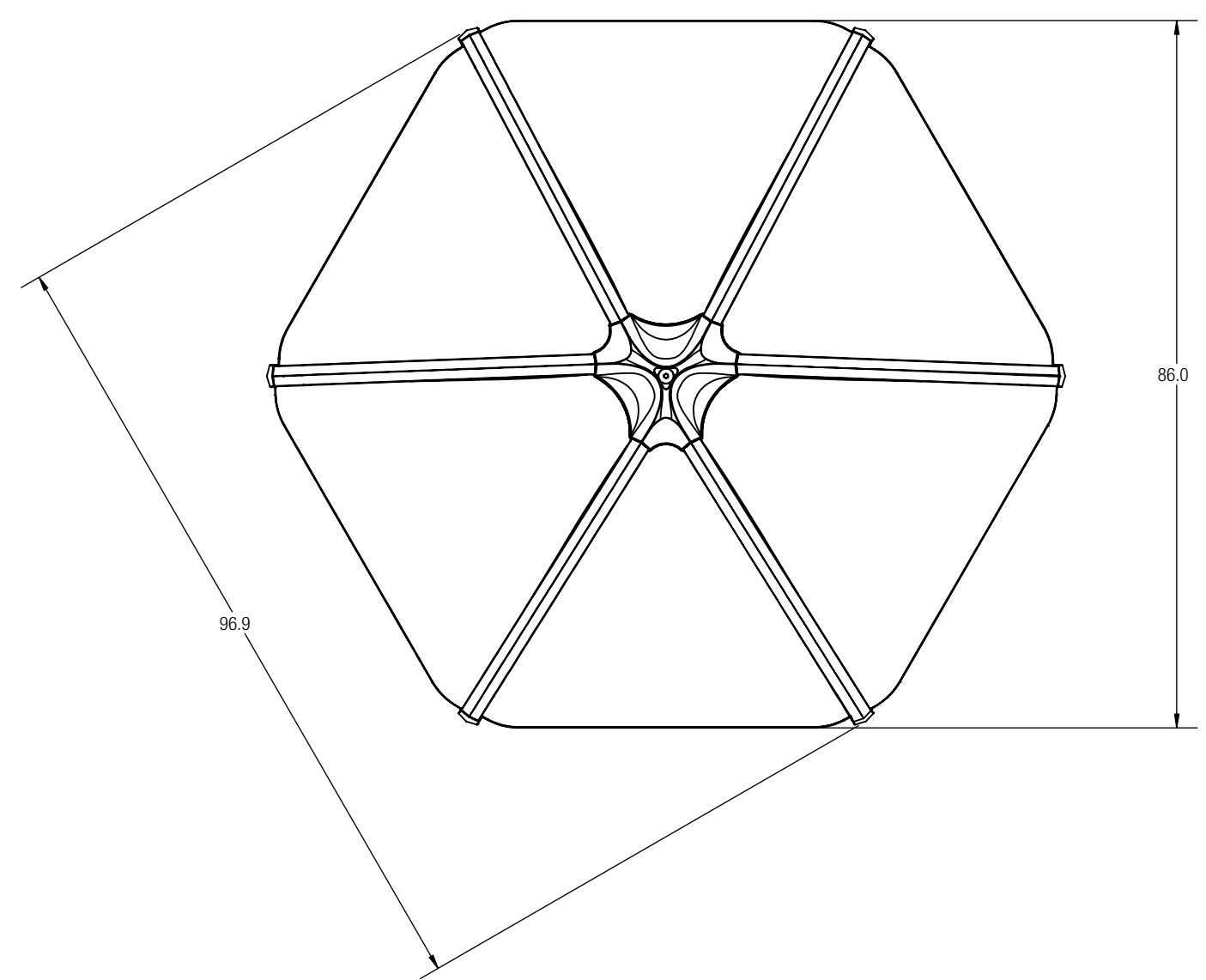
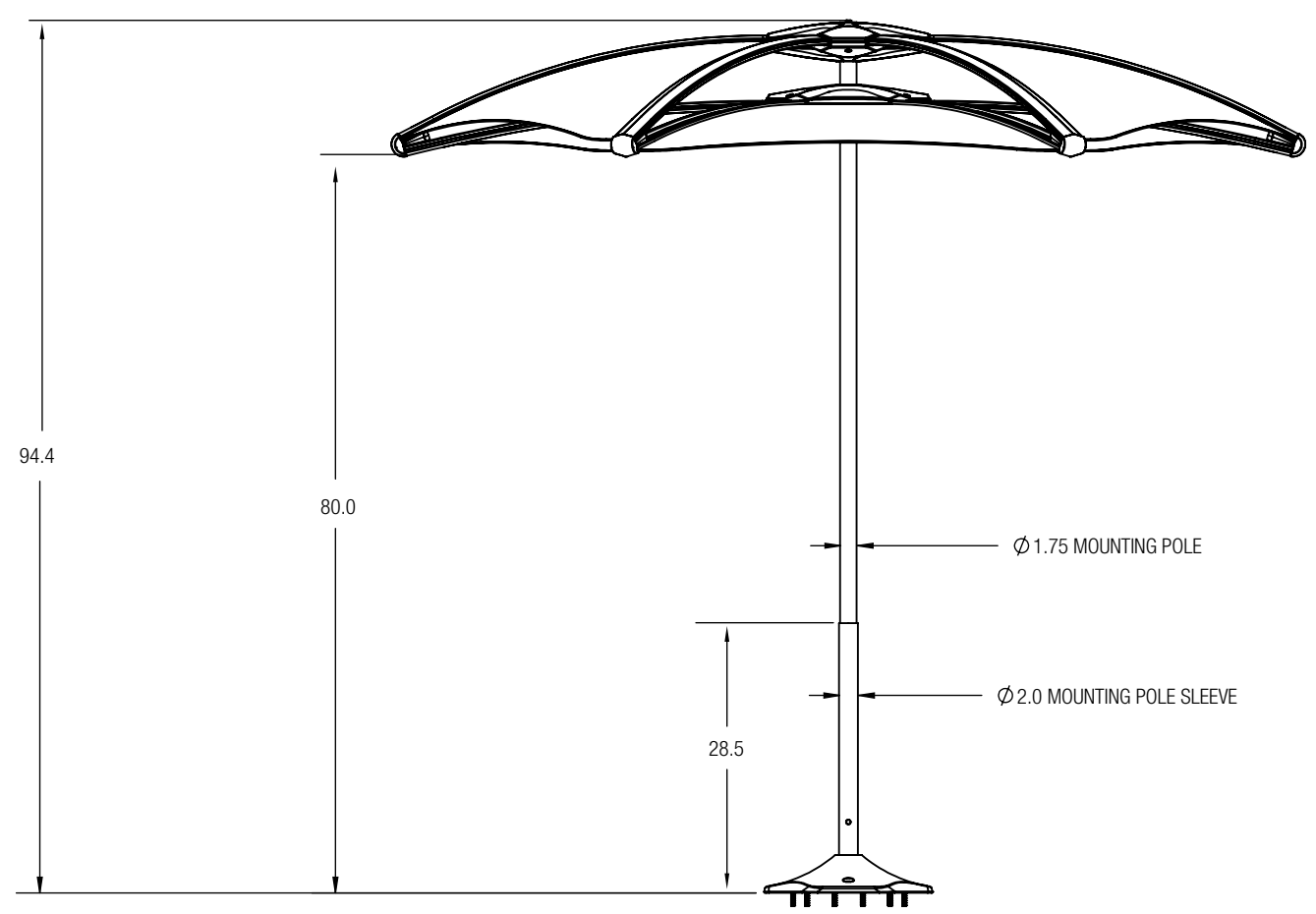


8 7 6 5 4 3 2 1

D
C
B
A



CUSTOMER APPROVAL:
 X _____
 DATE:
 X _____

UNLESS OTHERWISE SPECIFIED, DIMENSIONS ARE IN INCHES

FORMS+SURFACES® 30 Pine Street, Pittsburgh, PA 15223
 Tel (412) 781-9003 Fax (412) 781-7840

TOLERANCES (UNLESS OTHERWISE SPECIFIED):		NAME		DATE	
FRACTIONAL:	± 1/32	DWN	TF	05/18/2017	
ANGULAR/BEND:	± 1°	SOLERIS SUNSHADE STANDALONE SUSOL-APS			
TWO PLACE DECIMAL	± .030	DO NOT SCALE DRAWING			
THREE PLACE DECIMAL	± .020	PROPRIETARY AND CONFIDENTIAL			
MATERIAL: SEE DATA SHEET		THE INFORMATION CONTAINED IN THIS DRAWING IS THE SOLE PROPERTY OF FORMS + SURFACES. ANY REPRODUCTION IN PART OR AS A WHOLE WITHOUT WRITTEN PERMISSION IS PROHIBITED.			
FINISH: SEE DATA SHEET		SIZE	DWG. NO.	REV	SHEET
WEIGHT: 181 LBS		B	SUSOL-APS	0	1 OF 1
SOURCE: MDW					
SCALE: N.T.S.					

8 7 6 5 4 3 2 1

PRINTED: 2/21/2014