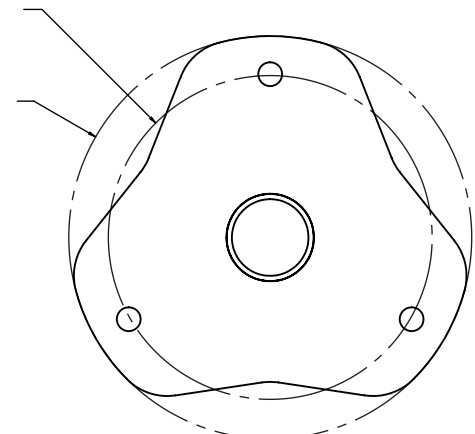
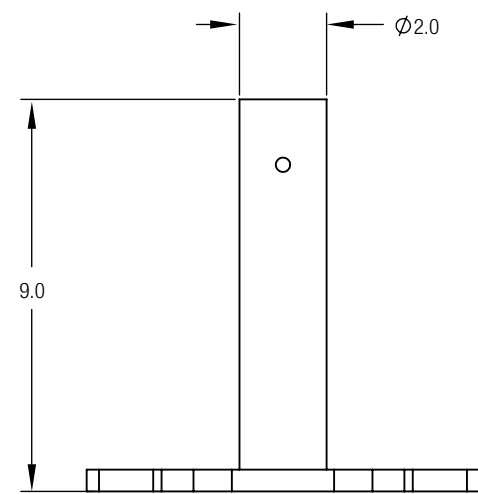


Ø 7.4 SURFACE MOUNT
HARDWARE BOLT CIRCLE
Ø9.3 BASE PLATE DIA.



BASE PLATE



SURFACE MOUNT ASSEMBLY

CUSTOMER APPROVAL:

X _____

DATE:

X _____

UNLESS OTHERWISE SPECIFIED,
DIMENSIONS ARE IN INCHES

TOLERANCES (UNLESS OTHERWISE SPECIFIED):
FRACTIONAL: ±1/32
ANGULAR/BEND: ±1°
TWO PLACE DECIMAL ±.030
THREE PLACE DECIMAL ±.020

MATERIAL: SEE DATA SHEET

FINISH: SEE DATA SHEET

WEIGHT: 213-345 LBS

SOURCE: MDW

SCALE: N.T.S.

FORMS+SURFACES® 30 Pine Street, Pittsburgh, PA 15223
Tel (412) 781-9003 Fax (412) 781-7840

NAME	DATE
TF	05/18/2017

DO NOT SCALE DRAWING

PROPRIETARY AND CONFIDENTIAL
THE INFORMATION CONTAINED IN THIS DRAWING IS THE SOLE PROPERTY OF FORMS + SURFACES. ANY REPRODUCTION IN PART OR AS A WHOLE WITHOUT WRITTEN PERMISSION IS PROHIBITED.

**SOLERIS SUNSHADE
SURFACE MOUNTED WITH
TANGENT TABLE ENSEMBLE. 6 SEAT
SUSOL-APT**

SIZE	DWG. NO.	REV	SHEET
B	SUSOL-APT6	0	1 OF 1

PRINTED: 9/19/2012